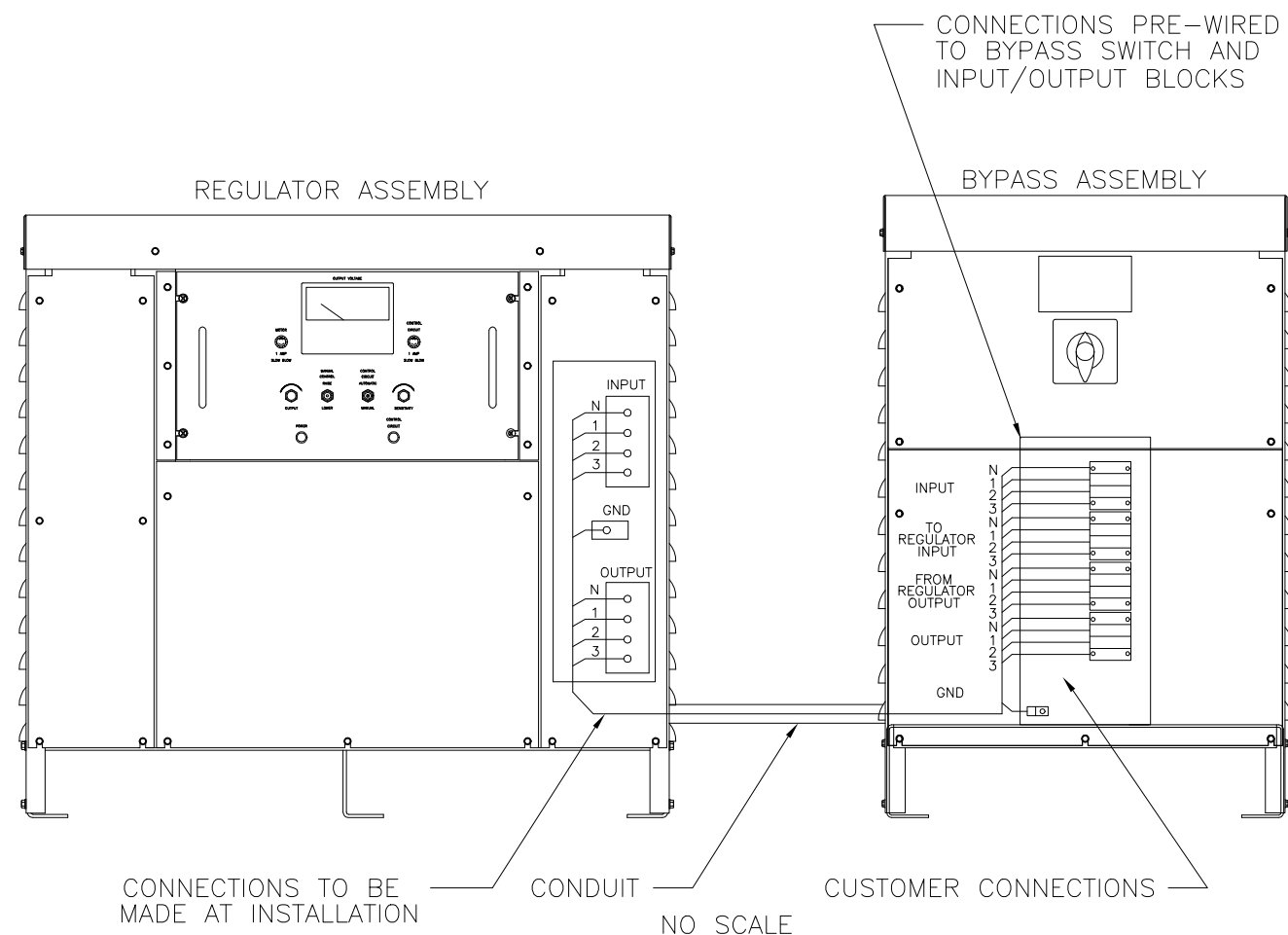
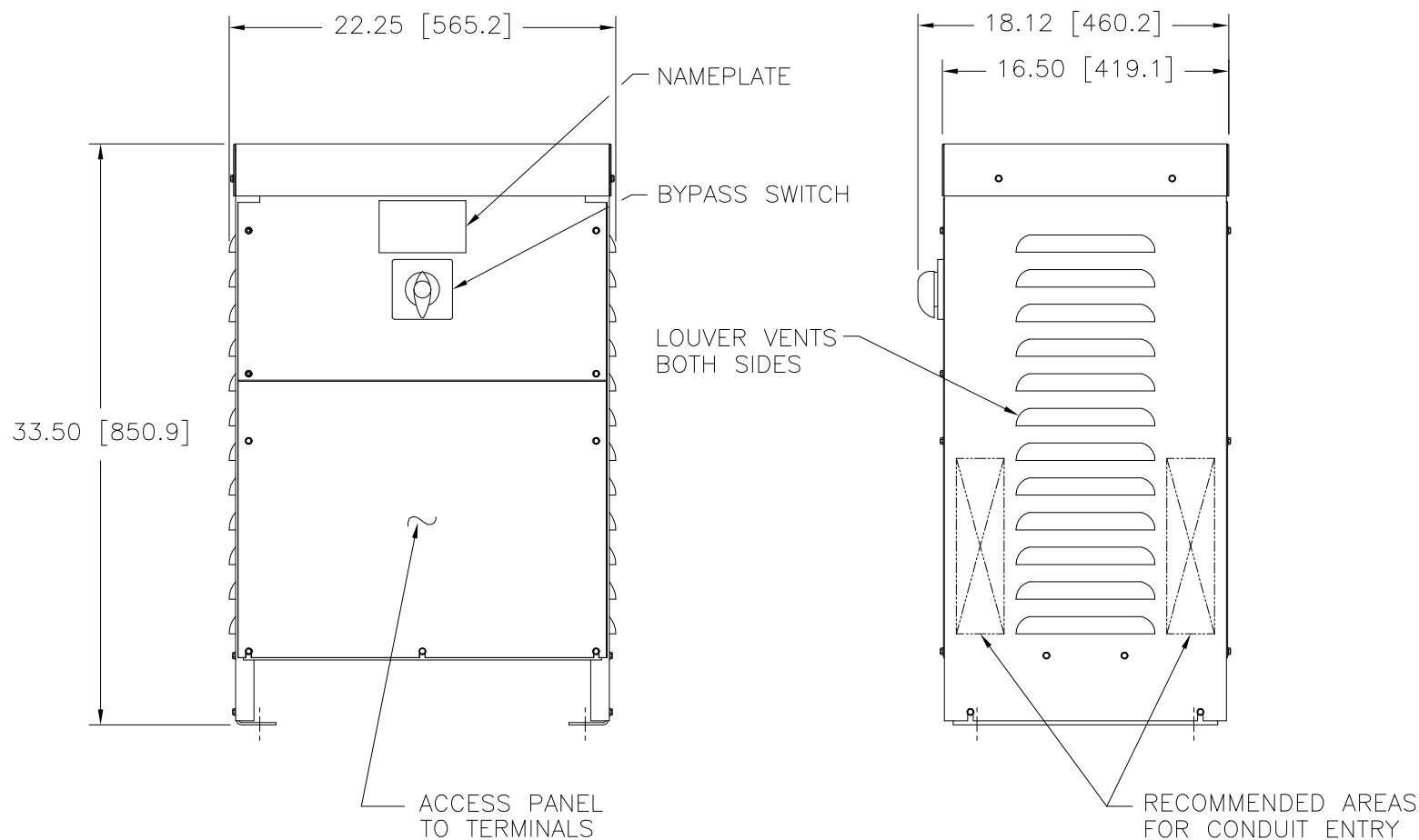


.56 [14.3] DIA. HOLE  
 4 PLACES ON BOTTOM  
 FLANGES FOR CUSTOMER  
 MOUNTING

BYPASS SWITCH: WHEN THIS SWITCH IS PLACED IN THE "BYPASS" POSITION, THE INCOMING LINE IS CONNECTED DIRECTLY TO THE OUTGOING LINE AND THE REGULATOR IS REMOVED FROM THE CIRCUIT. IN THE "NORMAL" POSITION, THE REGULATOR WILL CORRECT FOR HIGH OR LOW SUPPLY LINE VOLTAGES WHILE MAINTAINING A CONSTANT PRESET OUTPUT VOLTAGE.

**WARNING !**  
 DO NOT OPERATE THE SWITCH UNDER LOAD OR THE SWITCH MAY BE DAMAGED.



WIRE RANGES FOR CUSTOMER WIRING

INPUT/OUTPUT/NEUTRAL TERMINALS: (1)(#2 - #14 AWG) COMPRESSION PER PHASE  
 TO/FROM/NEUTRAL REGULATOR TERMINALS: (1)(#2 - #14 AWG) COMPRESSION PER PHASE  
 GROUND TERMINAL: (1)(#2 - #14 AWG) COMPRESSION

BYPASS SWITCH RATINGS			
THREE PHASE WIRING	50/60 HERTZ	600 VOLTS	65 AMPS
UNLESS OTHERWISE SPECIFIED, TOLERANCE IS * DECIMALS .12 .002 XX .005 XXX .005	Holes .12 Angles 1° Draft 1-1/2°	UNITS IN [mm]	TITLE: SPEC. CONTROL DRAWING MAINT. BYPASS SWITCH TYPE: BMB-T65
MATERIAL:	ALL DIMENSIONS APPLY AFTER PLATING	DRAWN BY SHORE	DATE 12/02/99
The information and design disclosed herein was originated by and is the property of STACO ENERGY PRODUCTS CO., which reserves all patent, proprietary, design, manufacturing, reproduction, use and sale rights thereto, and to any article disclosed therein except to the extent rights are expressly granted to others. The foregoing does not apply to vendor proprietary parts.		CHECKER	DATE
		ENGINEER	DATE
		SCALE .2=1	SHEET 1 OF 1
		CUSTOMER APPROVAL	DATE
		DWG. NO. 810-0049	DWG. NO. 810-0049

