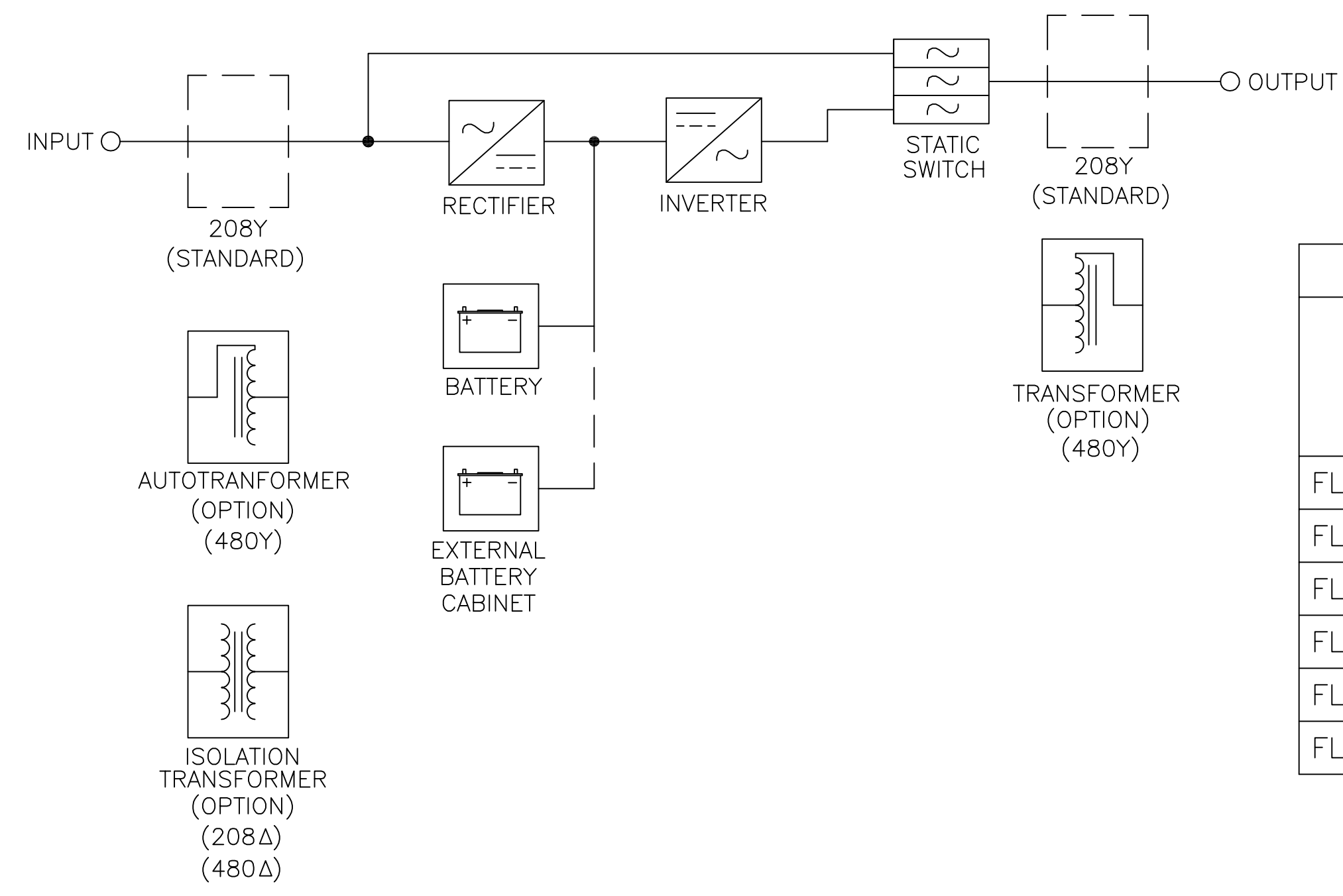
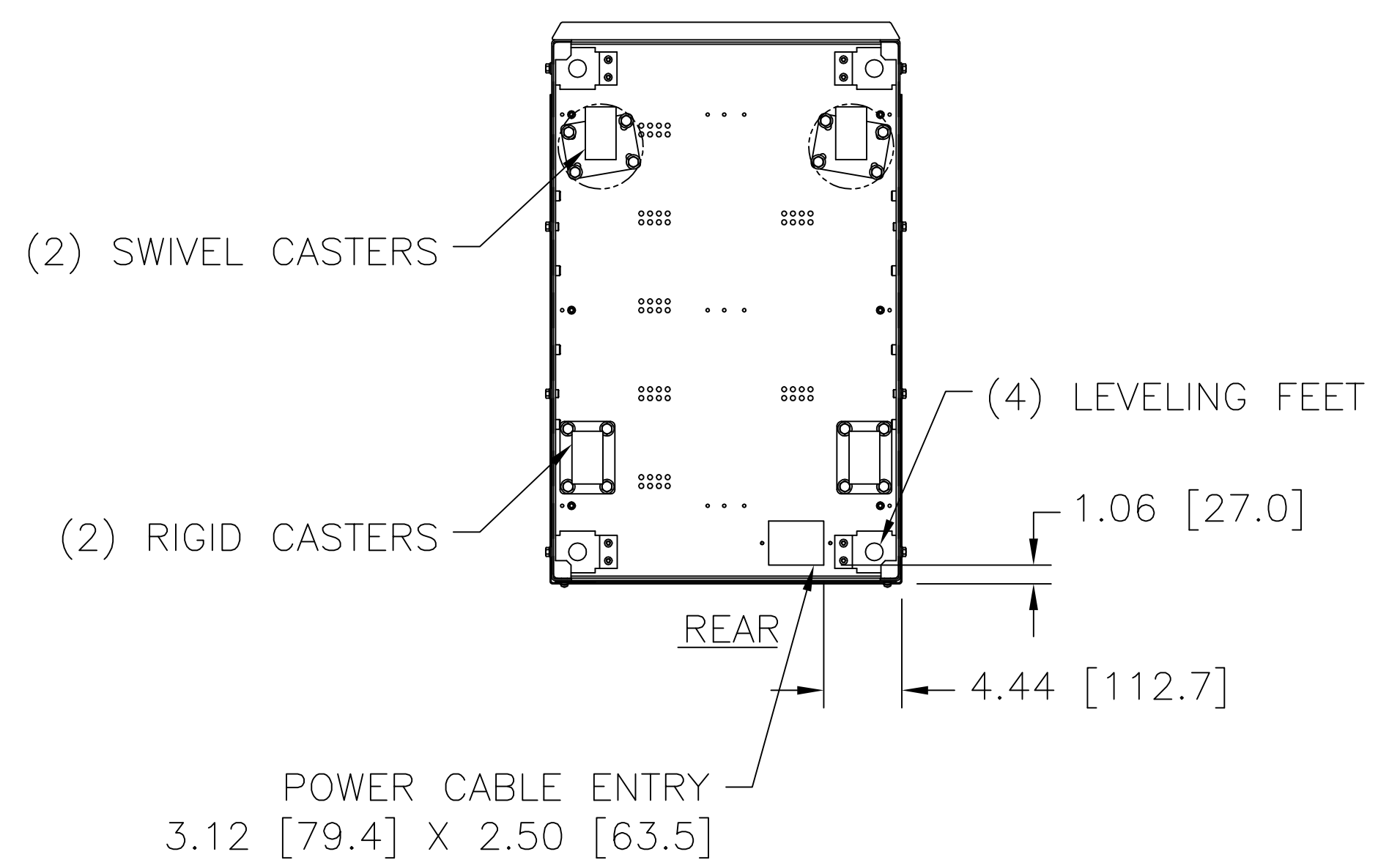
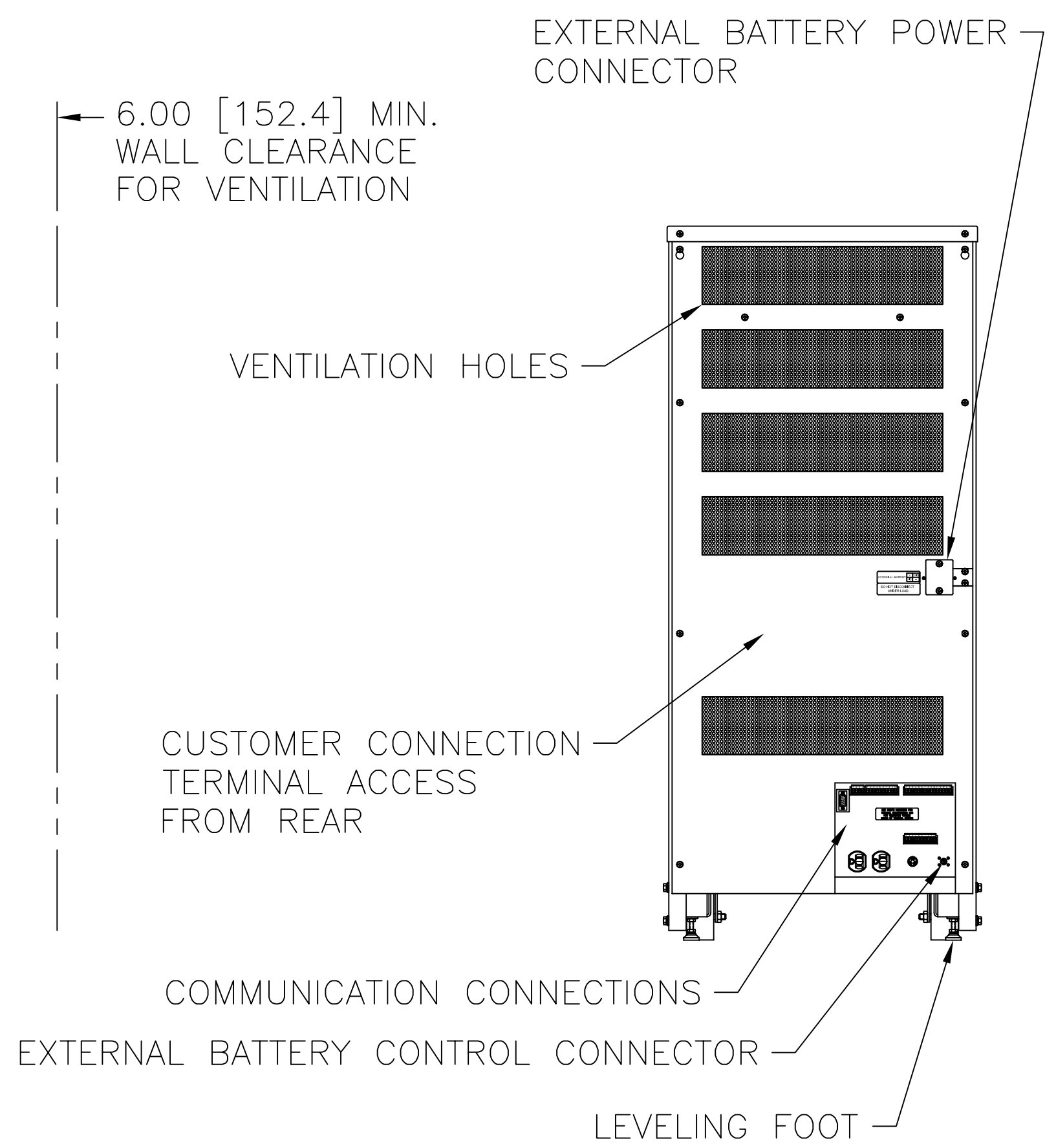
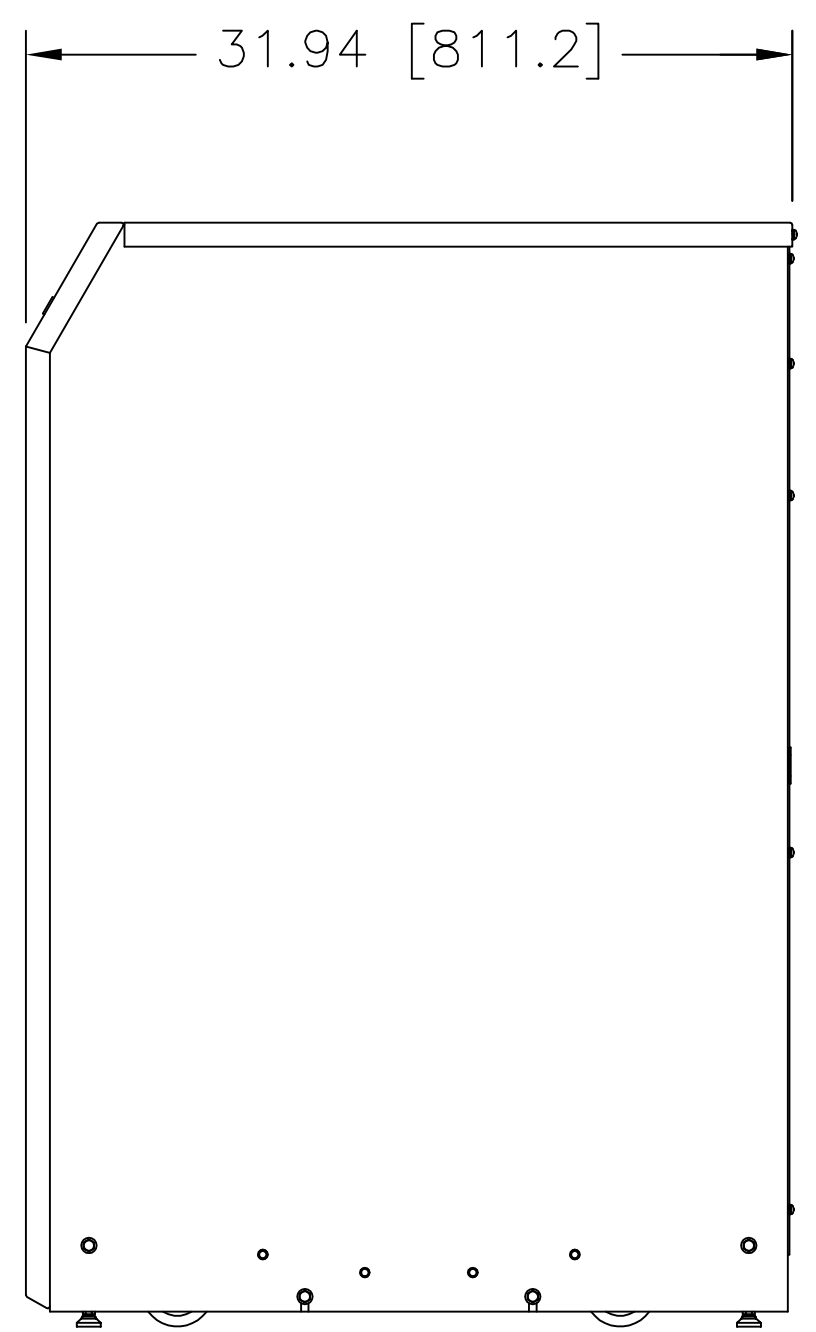
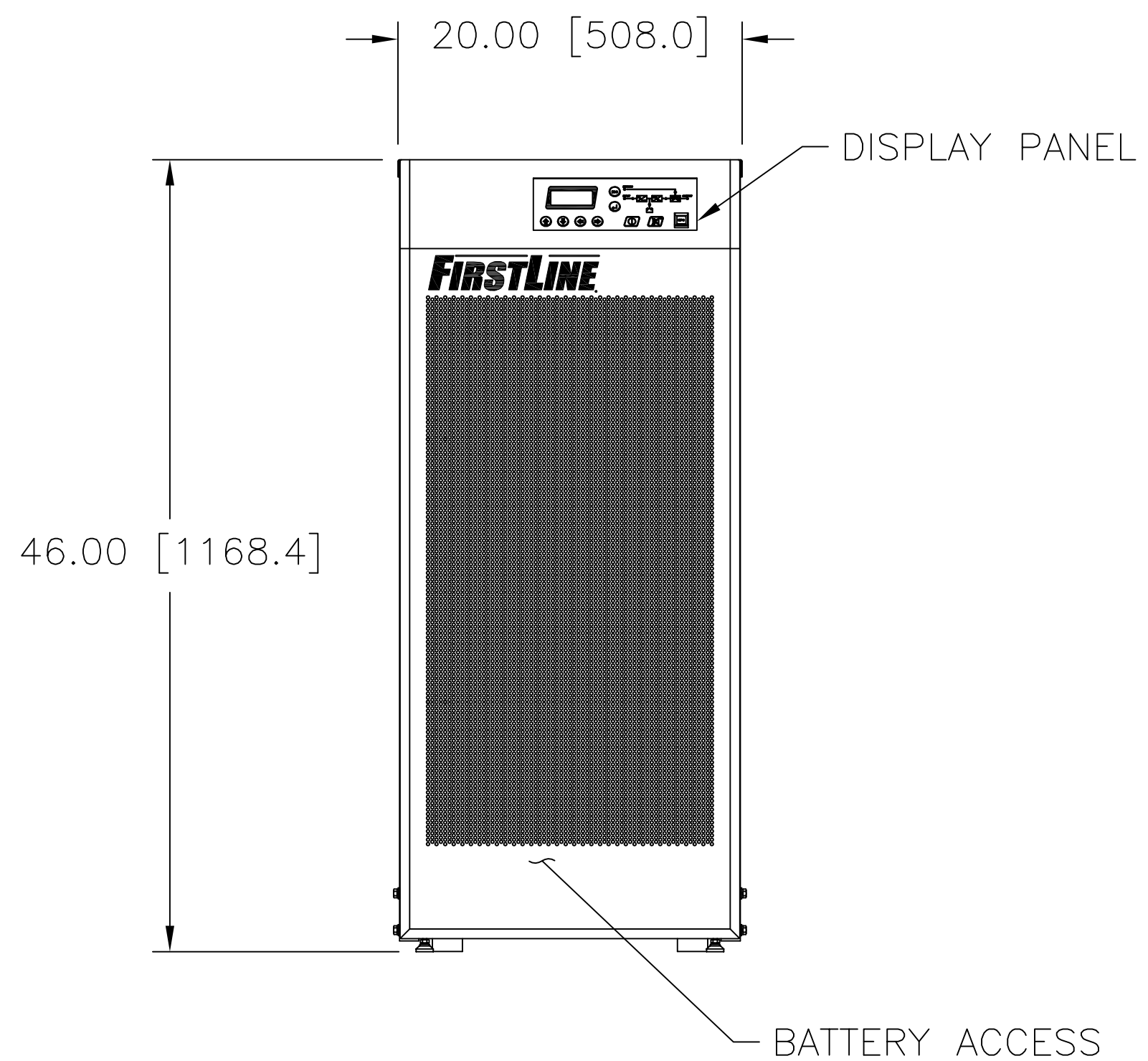


UPS CABINET



ENVIRONMENTAL
 OPERATING TEMPERATURE: 0°C TO 40°C
 ALTITUDE: 0-3300 FEET [1000 METERS] (WITHOUT DERATING)
 RELATIVE HUMIDITY: 0-95%, NON-CONDENSING

SERVICE CLEARANCES
 FROM FRONT OF CABINET: 36.00 [914.4]
 FROM LEFT SIDE OF UPS CABINET: NONE
 FROM RIGHT SIDE OF UPS CABINET: 24.00 [609.6]*

*FLU924-8S-20 REQUIRES NO SIDE CLEARANCE.

UL LISTED TO UL924, FILE NO.: E191175

NOTE: SEE SHEETS 3 & 4 FOR BATTERY CABINET DIMENSIONS AND WIRING.

FIRSTLINE UL924 SPECIFICATIONS							
MODEL	KW	INPUT VOLTAGE (+10%, -20%) 60 HZ	OUTPUT VOLTAGE (±1%) 60 HZ	RATED INPUT CURRENT (AMPS)	MAXIMUM OUTPUT CURRENT (AMPS)	NUMBER OF BATTERY CABINETS	BATTERY RUN TIME (MINUTES)
FLU924-8S-20	8	208Y/120	208Y/120	34	28	1	90
FLU924-8S-20-I	8	208Δ	208Y/120	34	28	1	90
FLU924-8S-42	8	480Y/277	208Y/120	15	28	1	90
FLU924-8S-42-I	8	480Δ	208Y/120	15	28	1	90
FLU924-8S-44	8	480Y/277	480Y/277	15	12	1	90
FLU924-8S-44-I	8	480Δ	480Y/277	15	12	1	90

UNLESS OTHERWISE SPECIFIED, TOLERANCE IS ± DECIMALS: HOLES .005 ANGLES 1° DRAFT 1-1/2° UNITS IN [mm]

MATERIAL: ALL DIMENSIONS APPLY AFTER PLATING

TITLE: SPECIFICATION CONTROL DRAWING
 FIRSTLINE UL924 8KW SHORT EMERGENCY LIGHTING SYSTEM

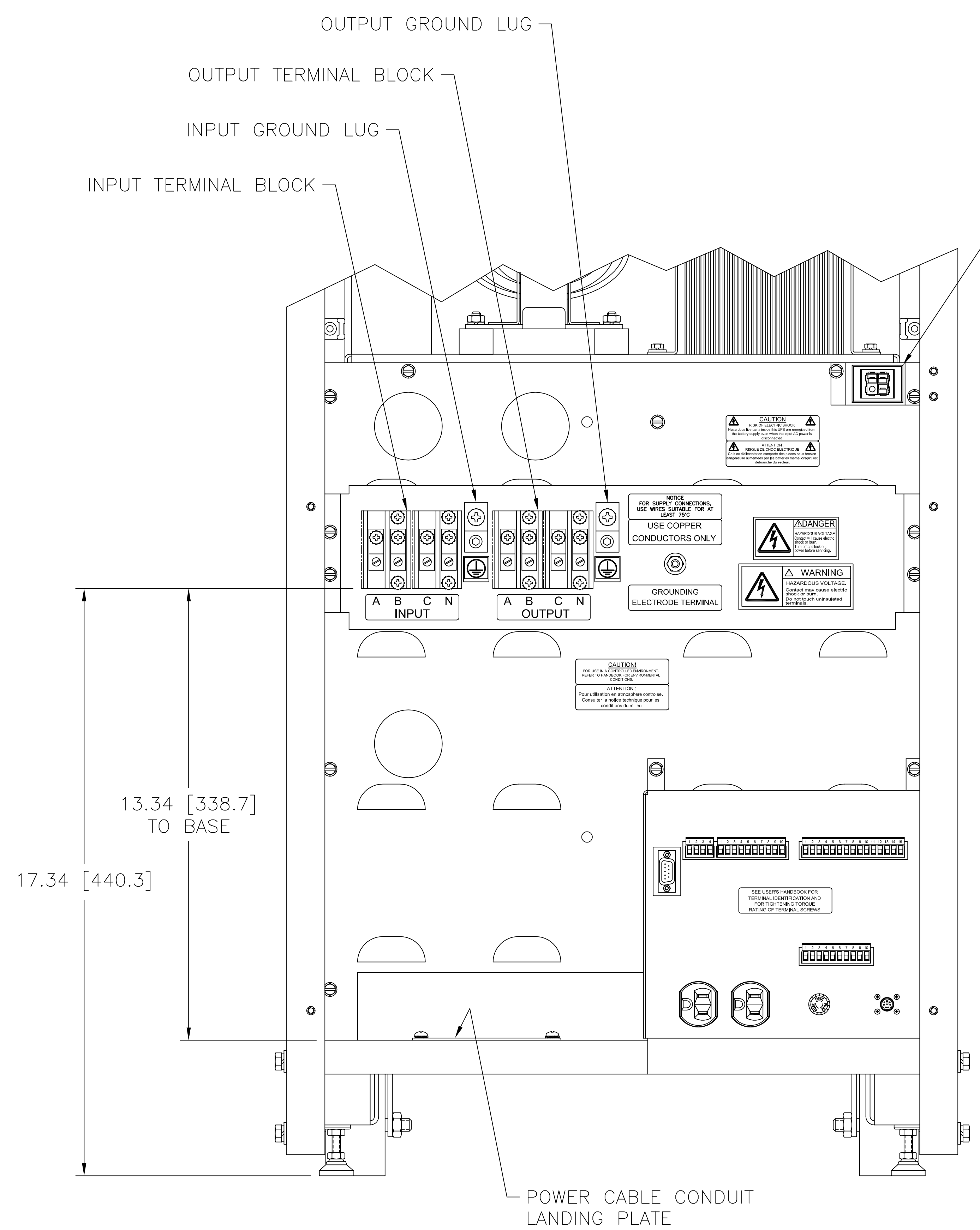
DO NOT SCALE DWG.

DRAWN BY: S.A. SMITH DATE: 4/7/10 FIRST USED ON: []
 CHECKER: SAS DATE: 5/3/10 WEIGHT APPROX. CASE CODE: 83008
 ENGINEER: R. BAKER DATE: 5/4/10 SCALE: 1/8 SHEET 1 OF 4

The information and design disclosed herein was originated by and is the property of STACO ENERGY PRODUCTS CO., which reserves all patent, proprietary, design, manufacturing, reproduction, use and sole rights thereto, and to any article disclosed therein except to the extent rights are expressly granted to others. The foregoing does not apply to vendor proprietary parts.

STACO ENERGY PRODUCTS CO.
 A Components Corporation of America Company
 302 Gadsden Boulevard Dayton, Ohio 45403 USA

DWG. NO. 096-6011



CAUTION
 RISK OF ELECTRIC SHOCK
 See safety instructions for use and operation.
 The battery module must be used for AC operation.

NOTICE
 FOR SUPPLY CONNECTIONS,
 USE WIRES SUITABLE FOR AT
 LEAST 75°C
 USE COPPER
 CONDUCTORS ONLY

WARNING
 HAZARDOUS VOLTAGE
 Contact may cause electric
 shock or death.
 Do not touch terminals.
 Do not touch the battery module.

GROUNDING
 ELECTRODE TERMINAL

A B C N
 INPUT

A B C N
 OUTPUT

CAUTION
 FOR USE IN CONTROLLED ENVIRONMENT,
 REFER TO HANDBOOK FOR ENVIRONMENTAL
 CONDITIONS.
ATTENTION:
 Pour utilisation en atmosphère contrôlée,
 Consulter la notice technique pour les
 conditions de milieu.

SEE USER'S HANDBOOK FOR
 TERMINAL IDENTIFICATION AND
 FOR TIGHTENING TORQUE
 RATING OF TERMINAL SCREWS

WIRE SIZING:

INPUT TERMINAL BLOCK

UPS RATING	VOLTAGE	INPUT TRANSFORMER TYPE	PHASE CONDUCTOR MIN/MAX	NEUTRAL CONDUCTOR MIN/MAX	NEUTRAL CONDUCTOR W/NON-LINEAR LOADS MIN/MAX	GROUND CONDUCTOR MIN/MAX
8 KW	208Y/120	NA	#6/2-0	#6/2-0	#6/2-0	#8/1-0
8 KW	208Δ	ISOLATION	#6/2-0	(NONE)	(NONE)	#8/1-0
8 KW	480Y/277	AUTO	#10/2-0	#10/2-0	#6/2-0	#8/1-0
8 KW	480Δ	ISOLATION	#10/2-0	(NONE)	(NONE)	#8/1-0

OUTPUT TERMINAL BLOCK

(MINIMUM WIRE SIZE REQUIRED TO SUPPORT RATED LOAD. SMALLER WIRE MAY BE USED IF RATED LOAD CURRENT IS NOT NEEDED AND THE APPROPRIATE CIRCUIT PROTECTION IS APPLIED.)

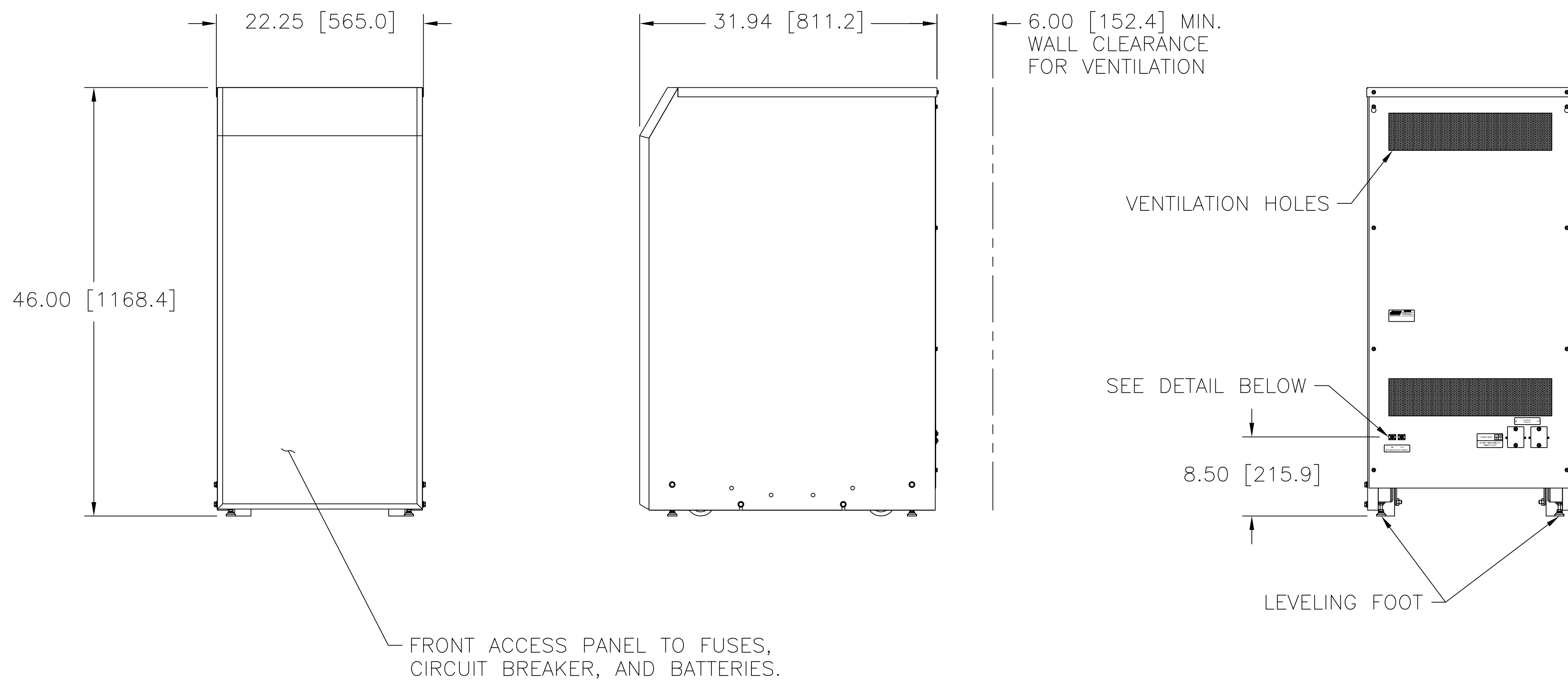
UPS RATING	VOLTAGE	OUTPUT TRANSFORMER	PHASE CONDUCTOR	NEUTRAL CONDUCTOR	NEUTRAL CONDUCTOR W/NON-LINEAR LOADS	GROUND CONDUCTOR
8 KW	208Y/127	NA	#8	#8	#6	#8
8 KW	480Y/277	AUTO	#12	#12	#10	#8

NOTE: NO OUTPUT CIRCUIT PROTECTION IS REQUIRED IF THE OUTPUT CONDUCTOR SIZES ARE AT LEAST AS LARGE AS THE INPUT CONDUCTORS, UNLESS THE UPS IS EQUIPPED WITH AN INPUT ISOLATION TRANSFORMER. IF THE UPS IS EQUIPPED WITH AN INPUT ISOLATION TRANSFORMER, THE UPS IS CONSIDERED A SEPARATELY DERIVED SOURCE AND CIRCUIT PROTECTION FOR THE OUTPUT CONDUCTORS MUST BE PROVIDED.

USE AT LEAST 75°C RATED COPPER WIRE. MINIMUM WIRE SIZE IS BASED ON 208Y/120 FULL LOAD RATINGS APPLIED TO NEC CODE TABLE 310-16. CODE MAY REQUIRE A LARGE AWG SIZE THAN SHOWN IN THIS TABLE BECAUSE OF TEMPERATURE, NUMBER OF CONDUCTORS IN THE CONDUIT, OR LONG SERVICE RUNS. FOLLOW LOCAL REQUIREMENTS.

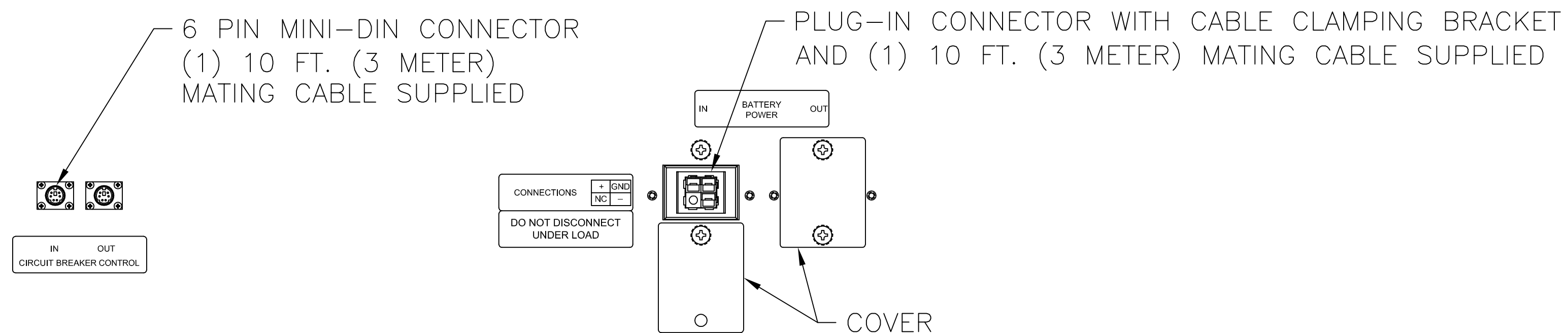
UNLESS OTHERWISE SPECIFIED, TOLERANCE IS ± DECIMALS: HOLES ANGLES DRAFT .XX .010 .005 1° 1-1/2° .XXX .005	UNITS IN [mm]	TITLE: SPECIFICATION CONTROL DRAWING FIRSTLINE UL924 8KW SHORT EMERGENCY LIGHTING SYSTEM	 A Components Corporation of America Company 302 Gadsden Boulevard Dayton, Ohio 45403 USA
MATERIAL:	ALL DIMENSIONS APPLY AFTER PLATING	DRAWN BY: S.A. SMITH DATE: 4/7/10 CHECKER: SAS DATE: 5/3/10 ENGINEER: R. BAKER DATE: 5/4/10	
The information and design disclosed herein was originated by and is the property of STACO ENERGY PRODUCTS CO., which reserves all patent, proprietary, design, manufacturing, reproduction, use and sale rights thereto, and to any article disclosed therein except to the extent rights are expressly granted to others. The foregoing does not apply to vendor proprietary parts.		FIRST USED ON: DO NOT SCALE DWG. WEIGHT APPROX.: CASE CODE 83008 SCALE: 1/2 SHEET 2 OF 4	DWG. NO. 096-6011

BATTERY CABINET



CONNECTION DETAIL

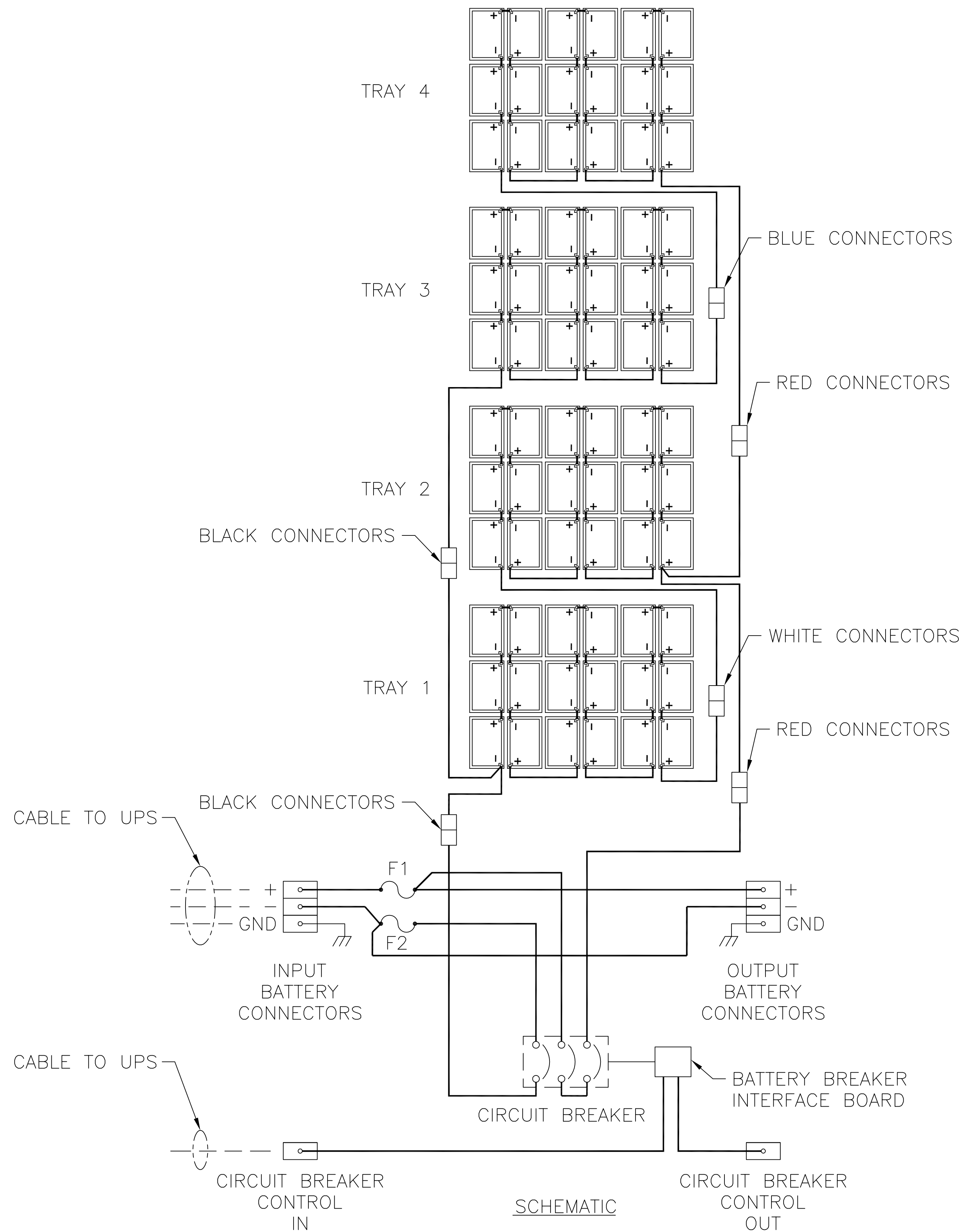
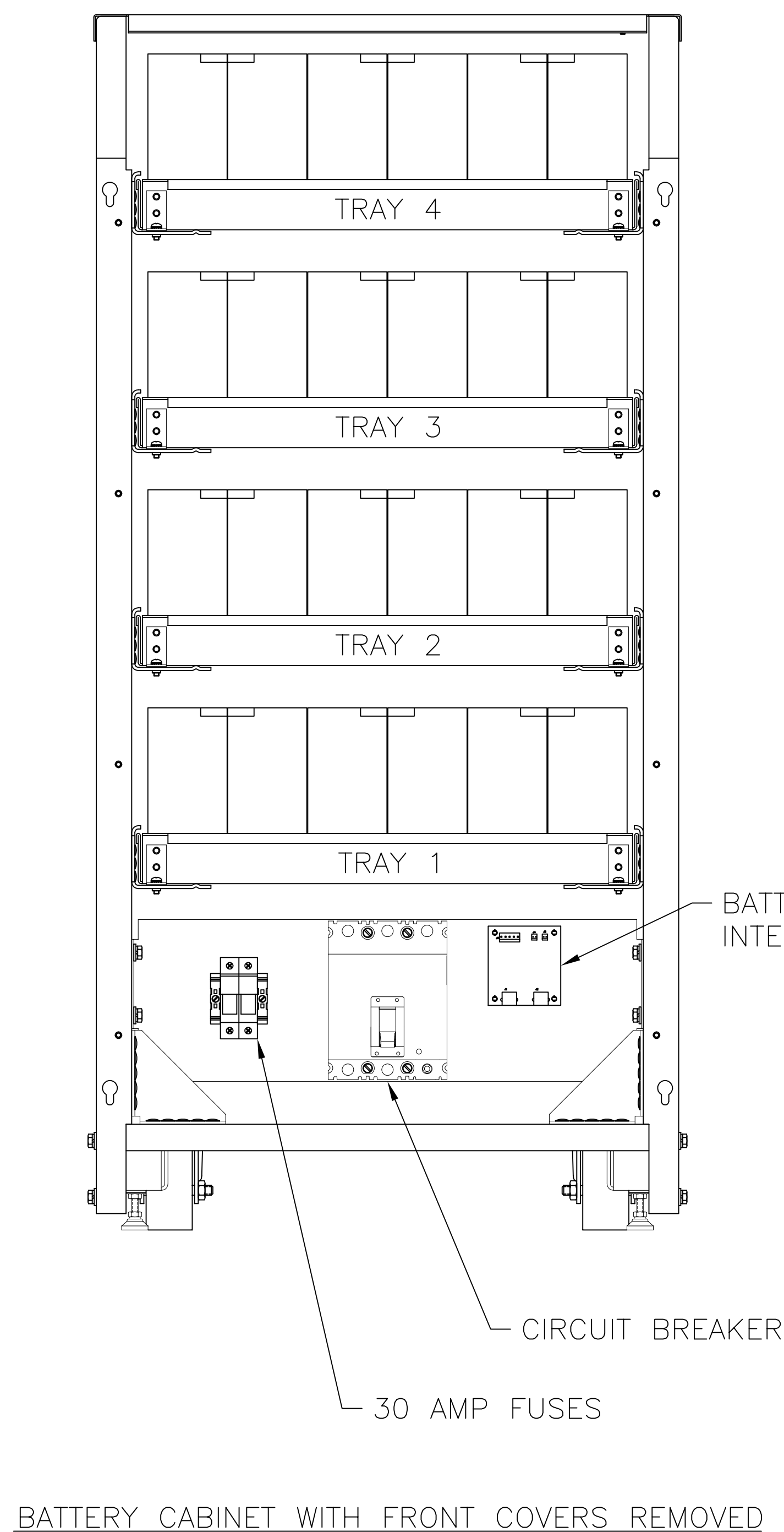
IN = CONNECTION FROM UPS OR FIRST BATTERY CABINET
 OUT = CONNECTION TO NEXT BATTERY CABINET



UNLESS OTHERWISE SPECIFIED, TOLERANCE IS ±		UNITS		TITLE: SPECIFICATION CONTROL DRAWING	
DECIMALS	HOLES	ANGLES	DRAFT	FIRSTLINE UL924 8KW SHORT	
.XX .010	.005	1°	1-1/2°	EMERGENCY LIGHTING SYSTEM	
.XXX .005				EMERGENCY LIGHTING SYSTEM	
MATERIAL:		ALL DIMENSIONS APPLY AFTER PLATING		DRAWN BY S.A. SMITH	
				DATE 4/7/10	
				FIRST USED ON	
				DO NOT SCALE DWG.	
				CHECKER SAS	
				DATE 5/3/10	
				WEIGHT APPROX.	
				CASE CODE 83008	
				SCALE 1/8	
				SHEET 3 OF 4	
				DWG. NO. 096-6011	
				DWG. SIZE D	



The information and design disclosed herein was originated by and is the property of STACO ENERGY PRODUCTS CO., which reserves all patent, proprietary, design, manufacturing, reproduction, use and sole rights thereto, and to any article disclosed therein except to the extent rights are expressly granted to others. The foregoing does not apply to vendor proprietary parts.



UNLESS OTHERWISE SPECIFIED, TOLERANCE IS ±		UNITS		TITLE: SPECIFICATION CONTROL DRAWING	
DECIMALS	HOLES	ANGLES	DRAFT	FIRSTLINE UL924 8KW SHORT	
.XX .010	.005	1°	1-1/2°	EMERGENCY LIGHTING SYSTEM	
.XXX .005				DO NOT SCALE DWG.	
MATERIAL:		ALL DIMENSIONS APPLY AFTER PLATING		CHECKER	DATE
				SAS	5/3/10
				ENGINEER	DATE
				R. BAKER	5/4/10
		SCALE	1/4	SHEET	4 OF 4
				DWG. NO.	096-6011



The information and design disclosed herein was originated by and is the property of STACO ENERGY PRODUCTS CO., which reserves all patent, proprietary, design, manufacturing, reproduction, use and sole rights thereto, and to any article disclosed therein except to the extent rights are expressly granted to others. The foregoing does not apply to vendor proprietary parts.