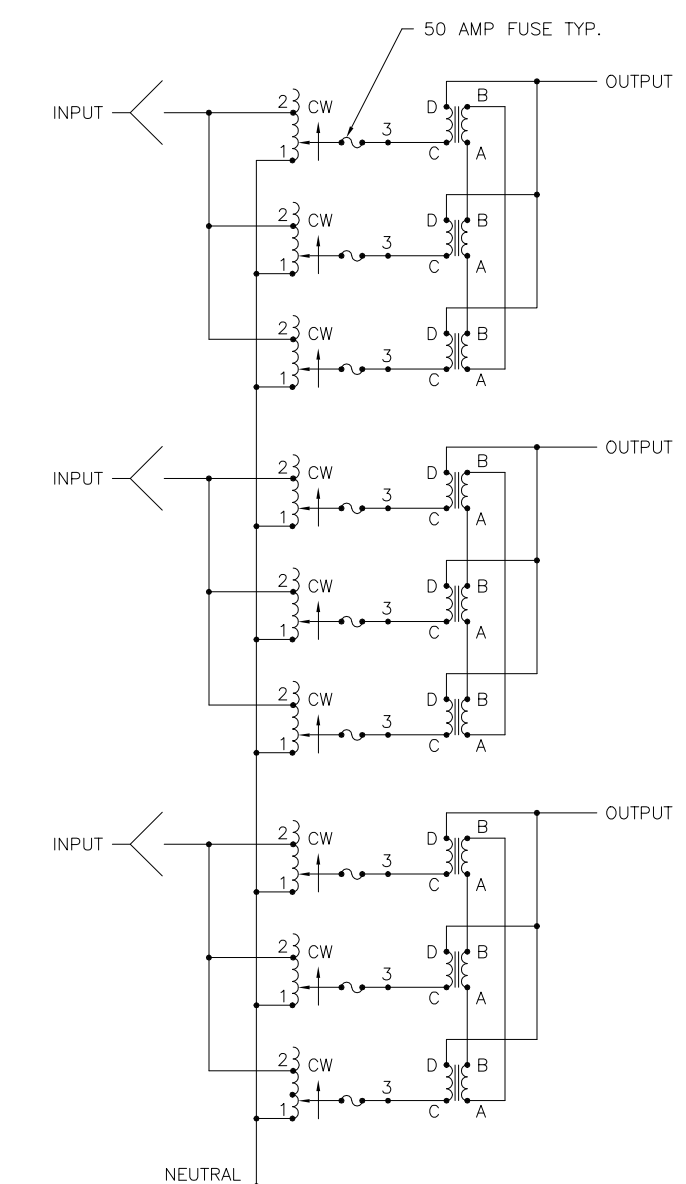
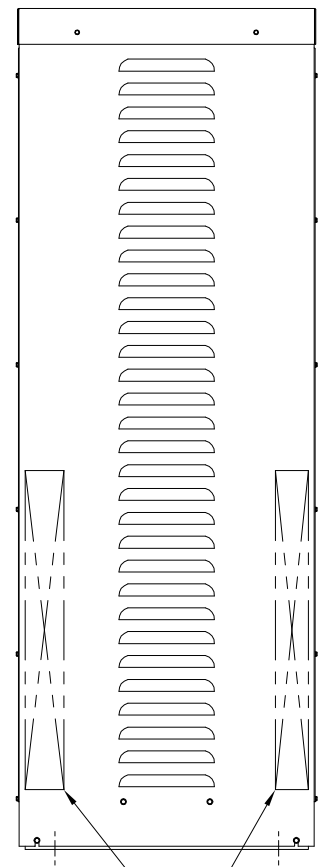
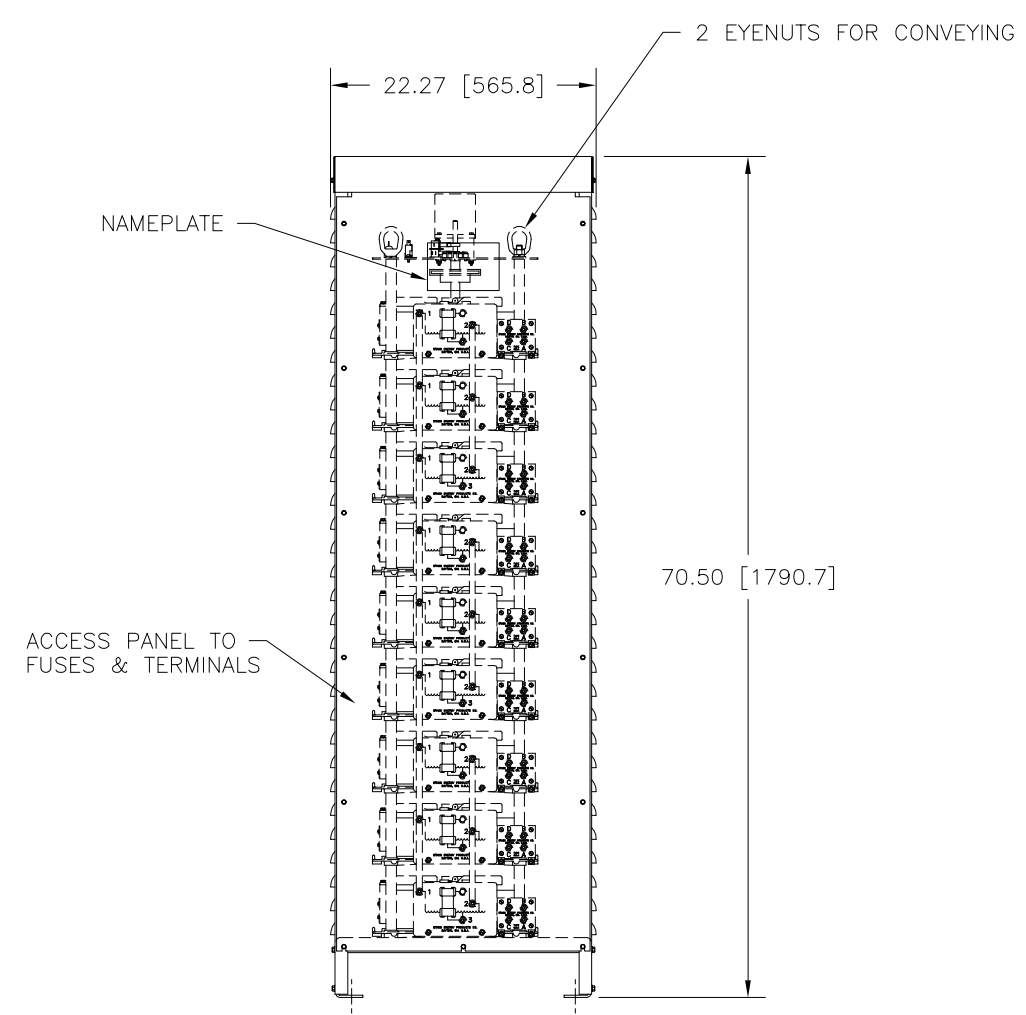


MOTOR CIRCUIT
 120V, 50/60 HZ
 * ROTATION AS VIEWED FROM TOP END
 MOTOR SPEEDS: 30, 60 SEC.



SCHMATIC



RECOMMENDED AREAS FOR CONDUIT ENTRY

SPEED (SECONDS)	MODEL NUMBER
30	30M5011E-9Y
60	60M5011E-9Y

WIRING	INPUT		OUTPUT		SHAFT ROTATION FOR VOLTAGE INCREASE	TERMINAL CONNECTIONS FOR INCREASING VOLTAGE AS VIEWED FROM TOP		
	VOLTS	HERTZ	VOLTS	CONSTANT CURRENT LOAD		INPUT	OUTPUT	
				MAX. AMPS				MAX. KVA
THREE PHASE WYE	240	60	0-280	150	72.5	CW	2-2-2 D-D-D	

UNLESS OTHERWISE SPECIFIED, TOLERANCE IS ±

DECIMALS	HOLES	ANGLES	DRAFT	UNITS
.XX	.0000	1°	1-1/2°	IN [mm]

MATERIAL: ALL DIMENSIONS APPLY AFTER PLATING

TITLE: SPECIFICATION CONTROL DRAWING
 MOTORIZED VARIABLE TRANSFORMER
 30 & 60M5011E-9Y

STACO ENERGY PRODUCTS CO.
 A Components Corporation of American Company
 302 South Boulevard Dayton, Ohio 45408 USA

DRAWN BY	DATE	FIRST USED ON	DO NOT SCALE DWG.
TIM RAU	12/14/95		
CHECKER	DATE	WEIGHT APPROX.	CAGE CODE
			83008
ENGINEER	DATE	SCALE	DWG. NO.
		.125=1	031-7018

The information and design disclosed herein was originated by and is the property of STACO ENERGY PRODUCTS CO., which reserves all patent, proprietary, design, manufacturing, reproduction, use and sale rights thereto, and to any article disclosed therein except to the extent rights are expressly granted to others. The foregoing does not apply to vendor proprietary parts.