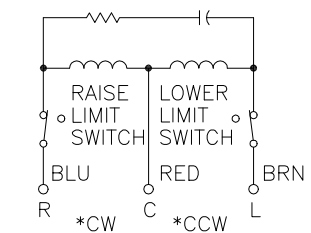
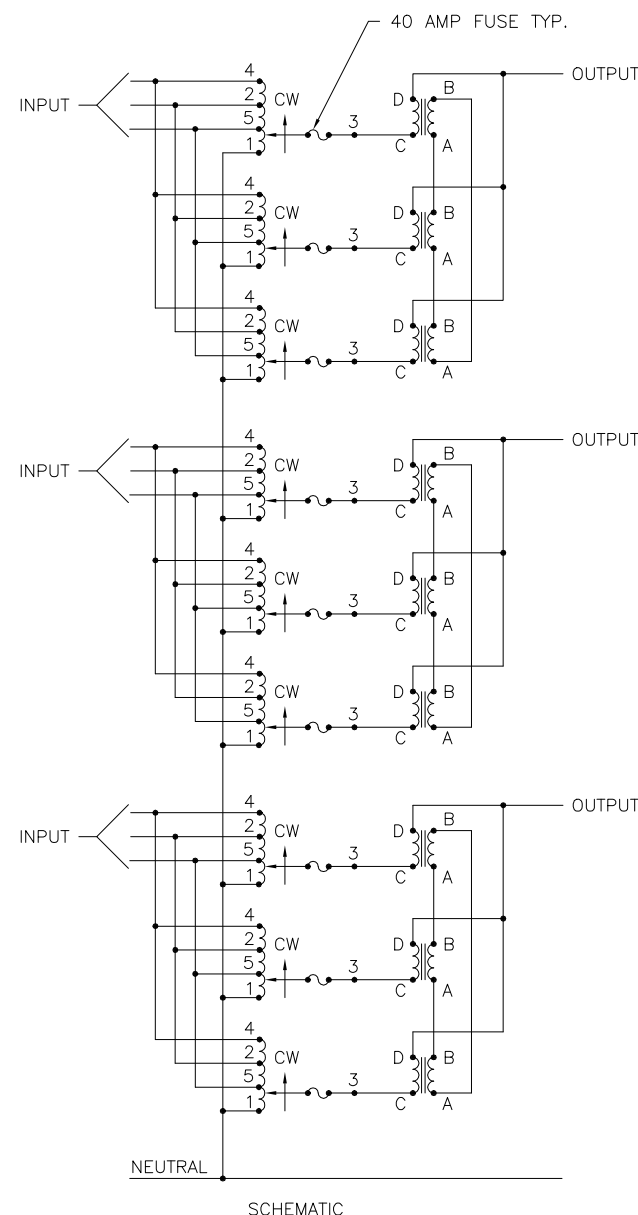


RECOMMENDED AREAS FOR CONDUIT ENTRY



MOTOR CIRCUIT
 120V, 50/60 HZ
 * ROTATION AS VIEWED FROM TOP END
 MOTOR SPEEDS: 30, 60 SEC.

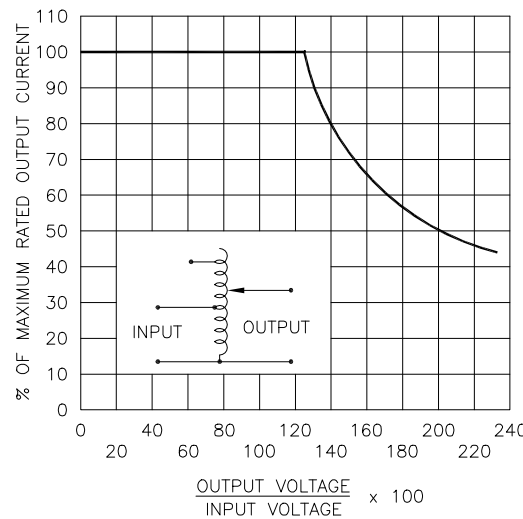


FIGURE A
 MAXIMUM OUTPUT CURRENT OF ANY DUAL INPUT VOLTAGE OR VOLTAGE DOUBLER UNIT OPERATED AT LOWER INPUT VOLTAGE.

* MAXIMUM OUTPUT CURRENT IN OUTPUT VOLTAGE RANGE FROM 0 TO 25 PERCENT ABOVE LINE VOLTAGE. AT HIGHER OUTPUT VOLTAGES, OUTPUT CURRENT MUST BE REDUCED ACCORDING TO RATING CURVE (SEE FIGURE A).

++ MAXIMUM KVA AT MAXIMUM OUTPUT AND CORRESPONDING DE-RATED CURRENT. MAXIMUM KVA AT LOWER OUTPUT VOLTAGES MAY BE CALCULATED FROM RATING CURVE, (SEE FIGURE A).

V.D. = VOLTAGE DOUBLER.

SPEED (SECONDS)	MODEL NUMBER
30	30M6020E-9Y
60	60M6020E-9Y

WIRING	INPUT		OUTPUT			SHAFT ROTATION FOR VOLTAGE INCREASE	TERMINAL CONNECTIONS FOR INCREASING VOLTAGE AS VIEWED FROM TOP	
	VOLTS	HERTZ	VOLTS	CONSTANT CURRENT LOAD			INPUT	OUTPUT
				MAX. AMPS	MAX. KVA			
THREE PHASE WYE	480	50/60	0-480	105	87.2	CW	4-4-4	D-D-D
		60	0-560	105	101.7	CW	2-2-2	D-D-D
	240	60	0-560	105-45 V.D.	43.6 ++	CW	5-5-5	D-D-D

UNLESS OTHERWISE SPECIFIED, TOLERANCE IS # DECIMALS .XX .XXX .12 .005 .03 1° 1-1/2° UNITS IN [mm]

TITLE: SPECIFICATION CONTROL DRAWING
 MOTORIZED VARIABLE TRANSFORMER
 30 & 60M6020E-9Y

MATERIAL: ALL DIMENSIONS APPLY AFTER PLATING

DO NOT SCALE DWG. CUSTOMER APPROVAL DATE

DRAWN BY S.A. SMITH DATE 11/21/94 FIRST USED ON M6020E-9Y DO NOT SCALE DWG. CUSTOMER APPROVAL DATE

CHECKER DATE WEIGHT APPROX. CODE IDENT. NO. 83008 DWG. NO. 032-8440

ENGINEER DATE SCALE .125=1 SHEET 1 OF 1 DWG. NO. 032-8440

STACO ENERGY PRODUCTS CO. DAYTON, OHIO U.S.A.