

NOTES:
 THE REGULATOR COMPRISES A MOTOR DRIVEN VARIABLE AUTOTRANSFORMER, A BUCK-BOOST FIXED RATIO TRANSFORMER AND A MICROPROCESSOR BASED SOLID STATE CONTROL UNIT THAT AUTOMATICALLY POSITIONS THE AUTOTRANSFORMER TO HOLD THE OUTPUT VOLTAGE CONSTANT.

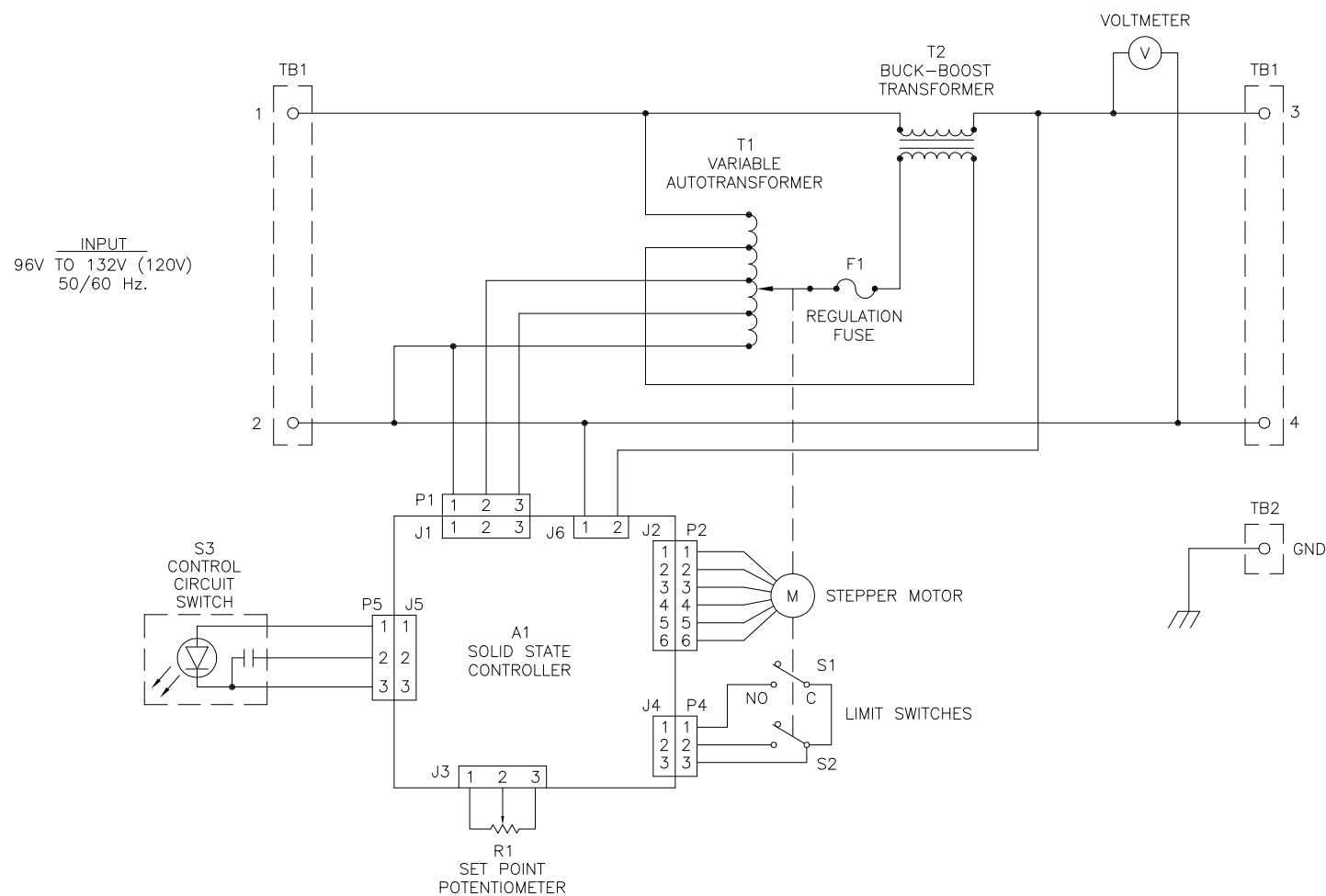
SPECIFICATIONS:
 WAVEFORM DISTORTION — — — — — ZERO
 FREQUENCY RANGE — — — — — 47Hz TO 63Hz
 ACCURACY — — — — — ±1.0% #
 INTERNAL IMPEDANCE — — — — — EXTREMELY LOW
 PHASE SHIFT — — — — — NEGLIGIBLE
 EFFICIENCY — — — — — APPROXIMATELY 98%
 TEMPERATURE RANGE — — — — — 0°C (32°F) TO +50°C (122°F)

CONTROLS:
 VOLTAGE METER: AN ANALOG 0-150 VAC METER IS PROVIDED TO READ THE OUTPUT VOLTAGE.
 SET POINT: THIS POTENTIOMETER CONTROL IS ROTATED CLOCKWISE TO INCREASE THE OUTPUT VOLTAGE SET POINT AND COUNTERCLOCKWISE TO DECREASE THE OUTPUT VOLTAGE SET POINT.
 CONTROL CIRCUIT SWITCH: THIS ILLUMINATED PUSHBUTTON SWITCH IS PROVIDED TO INDICATE THAT THE CONTROL UNIT IS OPERATING WHEN ILLUMINATED AND AS A RESET SWITCH FOR THE MICROPROCESSOR.

REGULATION IS ±0.5% FOR +9% THRU -19% OF THE INPUT VOLTAGE RANGE.

* AT NOMINAL OUTPUT VOLTAGE. INPUT VOLTAGE RANGE (+10% TO -20%) SHIFTS PROPORTIONALLY WITH OUTPUT VOLTAGE SETTINGS.

++ INPUT RANGE IN VOLTS DIVIDED BY THE MOTOR DRIVE TRAVEL TIME IN SECONDS.



| SINGLE PHASE 50/60Hz | | | | |
|------------------------|----------------------|------------------------|--------------------|----------------------------------|
| NOMINAL OUTPUT VOLTAGE | INPUT VOLTAGE RANGE* | MAXIMUM OUTPUT AMPERES | RATED OUTPUT (KVA) | CORRECTION RATE (VOLTS/SECOND)++ |
| 120 | 96-132 | 20.8 | 2.5 | 36 |

| | | | | | | | |
|--------------------------------------------|-------|----------------|--------|------------------------------------|--|---------------------|--|
| UNLESS OTHERWISE SPECIFIED, TOLERANCE IS # | | UNITS | | TITLE: SPEC. CONTROL DRAWING | | | |
| DECIMALS | Holes | ANGLES | DRAFT | IN [mm] | | | |
| .XX | .125 | 1° | 1-1/2° | ALL DIMENSIONS APPLY AFTER PLATING | | DRAWN BY S.A. SMITH | |
| DATE 6/20/96 | | FIRST USED ON | | DO NOT SCALE DWG. | | CUSTOMER APPROVAL | |
| DATE | | WEIGHT APPROX. | | CODE IDENT. NO. 83008 | | DATE | |
| DATE | | SCALE .50=1 | | SHEET 1 OF 1 | | DWG. NO. 095-1874 | |