

# FIRSTLINE<sup>®</sup> BMS

## Wireless Battery Monitoring System User Manual



**STACO  
ENERGY<sup>®</sup>**  
PRODUCTS CO.

# TABLE OF CONTENTS

SAFETY INFORMATION .....	IV
<b>1. FIRSTLINE BMS SYSTEM DESCRIPTION .....</b>	<b>1</b>
1-1 DATA COLLECTOR (DC-LCD) .....	2
1-2 BATTERY MEASUREMENT KIT (BMK) .....	5
1-3 STRING MEASUREMENT KIT (SMK) .....	8
1-4 OTHER ACCESSORIES .....	11
1-4.1 <i>Optional Hall CT Kit (HCT)</i> .....	11
1-4.2 <i>DC Power Supplies (DPS)</i> .....	14
1-4.3 <i>Optional Temperature Sensor (TES)</i> .....	16
1-4.4 <i>Optional Extension Antenna (ANT)</i> .....	16
1-4.5 <i>Battery Terminal Auxiliary Connector Board (BTA) &amp; Terminal Adaptor Quick Connect</i> .....	17
<b>2. INSTALLATION GUIDE .....</b>	<b>18</b>
2-1 BATTERY MEASUREMENT KIT (BMK) INSTALLATION .....	18
2-2 STRING MEASUREMENT KIT (SMK) INSTALLATION .....	19
2-3 DC POWER SUPPLY (FLU-BMS-DPS-048A) INSTALLATION .....	21
2-4 DATA COLLECTOR (DC-LCD) INSTALLATION .....	22
<b>3. DATA COLLECTOR (DC-LCD) OPERATING GUIDE .....</b>	<b>24</b>
3-1 SCREEN PANEL INTRODUCTION .....	24
3-2 DC-LCD FUNCTIONS .....	25
3-2.1 <i>System Status Overview</i> .....	25
3-2.2 <i>Menu</i> .....	25
3-2.3 <i>Administrator Mode</i> .....	29
3-2.4 <i>Engineer Mode</i> .....	34
<b>4. SYSTEM CONFIGURATION EXAMPLE .....</b>	<b>37</b>
4-1 KIT INSTALLATION AND CONNECTION .....	38
4-2 TURN ON THE DATA COLLECTOR .....	38
4-3 ENGINEER LOGIN .....	39
4-4 BATTERY SYSTEM STRUCTURE SETUP .....	40
4-5 STRING MEASUREMENT KIT SMK#1 SETUP .....	41
4-6 STRING MEASUREMENT KIT SMK#2 AND SMK #3 SETUP .....	42
4-7 BATTERY MEASUREMENT KIT BMK#1~ BMK#16 SETUP .....	43
4-8 ADDITIONAL NODE SMK#4 SETUP .....	44
<b>5. FIRSTLINE BMS WEB MONITORING GUIDE .....</b>	<b>46</b>
5-1 ACCESS THE DC-LCD USING A WEB BROWSER .....	46
5-2 WEB MONITORING PAGE OVERVIEW .....	46
5-3 WEB MONITORING FUNCTIONS .....	47
5-3.1 <i>Information and Status</i> .....	47
5-3.2 <i>System Information</i> .....	47
5-3.3 <i>String Information</i> .....	48
5-3.4 <i>Export Report</i> .....	48
5-3.5 <i>Yearly Report</i> .....	49
5-3.6 <i>Monthly Report</i> .....	50
5-3.7 <i>Daily Report</i> .....	51
<b>6. ALARM MESSAGES AND TROUBLESHOOTING .....</b>	<b>52</b>
6-1 ALARM MESSAGES .....	52
6-2 TROUBLESHOOTING .....	53
6-3 REPLACING THE SD CARD .....	54

## Foreword

This manual provides the functional descriptions of the hardware and software of the ***FirstLine*** Wireless Battery Monitoring System (BMS) and provides instructions to correctly operate the system.

General troubleshooting guides are also included. If a problem persists and is not listed in this manual please notify Staco Energy Products Co. immediately.

The installation, operation, and maintenance of the system must be carried out only by authorized trained personnel. If not, any injury sustained is not the responsibility of ***Staco Energy Products Co.***

## Safety Information

This Safety Information section contains important instructions that must be followed during installation and operation of the *FirstLine* Wireless Battery Monitoring System (BMS).

1. Installation, operation, and maintenance of the BMS must be carried out only by qualified, authorized trained personnel.
2. Avoid installing the BMS in a hazardous environment.
3. Safety instructions and precautions provided by storage battery and DC equipment manufacturers should be strictly followed when this equipment is used together with the BMS.
4. Do not attempt to service or modify the BMS. Doing so could present the risk of electric shock or other hazard.

This device complies with the IEC/EN61010-1 standard in accordance with the Low Voltage Directive (2006/95/EC) and is authorized to use the CE marking.



This device complies with the UL 61010-1 standard and is authorized to use the UL marking.



This device complies with NCC Rules and is authorized to use the NCC marking.



This device complies with Part 15 of the FCC Rules. Operation is subject to the following two conditions.

1. This device must not cause harmful interference.
2. This device must accept any interference received, including interference that may cause undesired operation.



Replacement parts must meet the original equipment specifications. Follow replacement instructions to ensure safe electrical isolation.

# 1. FirstLine BMS System Description

The *FirstLine* Wireless Battery Monitoring System (BMS) consists of the following:

- One Data Collector (DC-LCD) required per UPS and Battery System.
  - ◆ Designed to receive transmitted signals from the Battery Measurement Kits and String Measurement Kits. Continuously monitors, analyzes, and stores battery measurements.
  - ◆ Equipped with a touch-screen LCD color display for access to all battery measurements and BMS settings.
  - ◆ Provides RS-485 and Ethernet communication for remote monitoring.
- Battery Measurement Kit(s) (BMK)
  - ◆ Measures the battery cell voltage and impedance and transmits the measurement to the DC-LCD for analysis and storage.
  - ◆ Can be connected to an optional Temperature Sensor (TES) to measure battery terminal temperature.
- String Measurement Kit(s) (SMK)
  - ◆ Measures battery string voltage and transmits the measurement to the DC-LCD for analysis and storage.
  - ◆ Can be connected to an optional Hall Current Transformer Kit (HCT) of various ratios to measure battery string current.
  - ◆ Can be connected to an optional Temperature Sensor (TES) to measure environmental temperature.

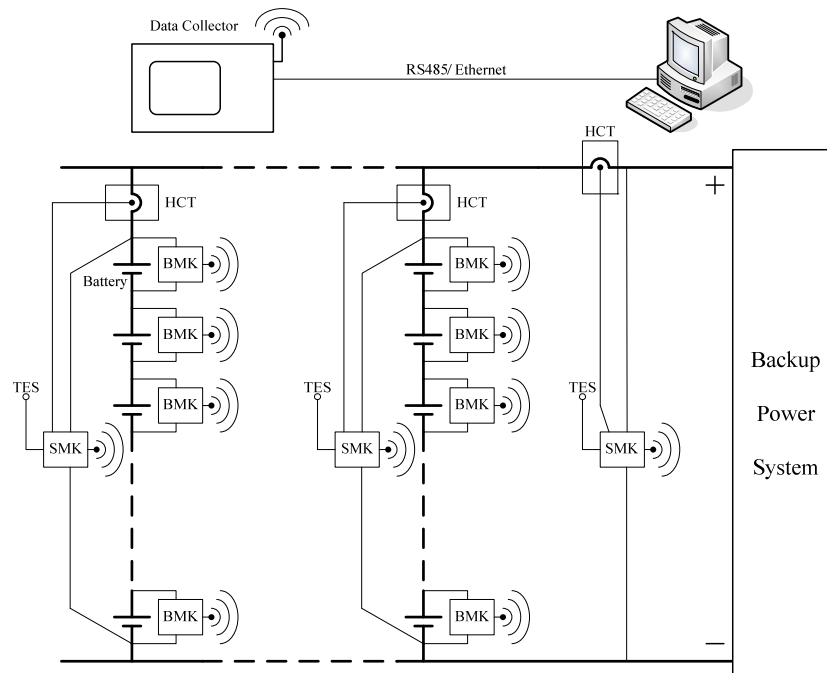


Figure 1. FirstLine Wireless Battery Monitoring System Configuration

## 1-1 Data Collector (DC-LCD)

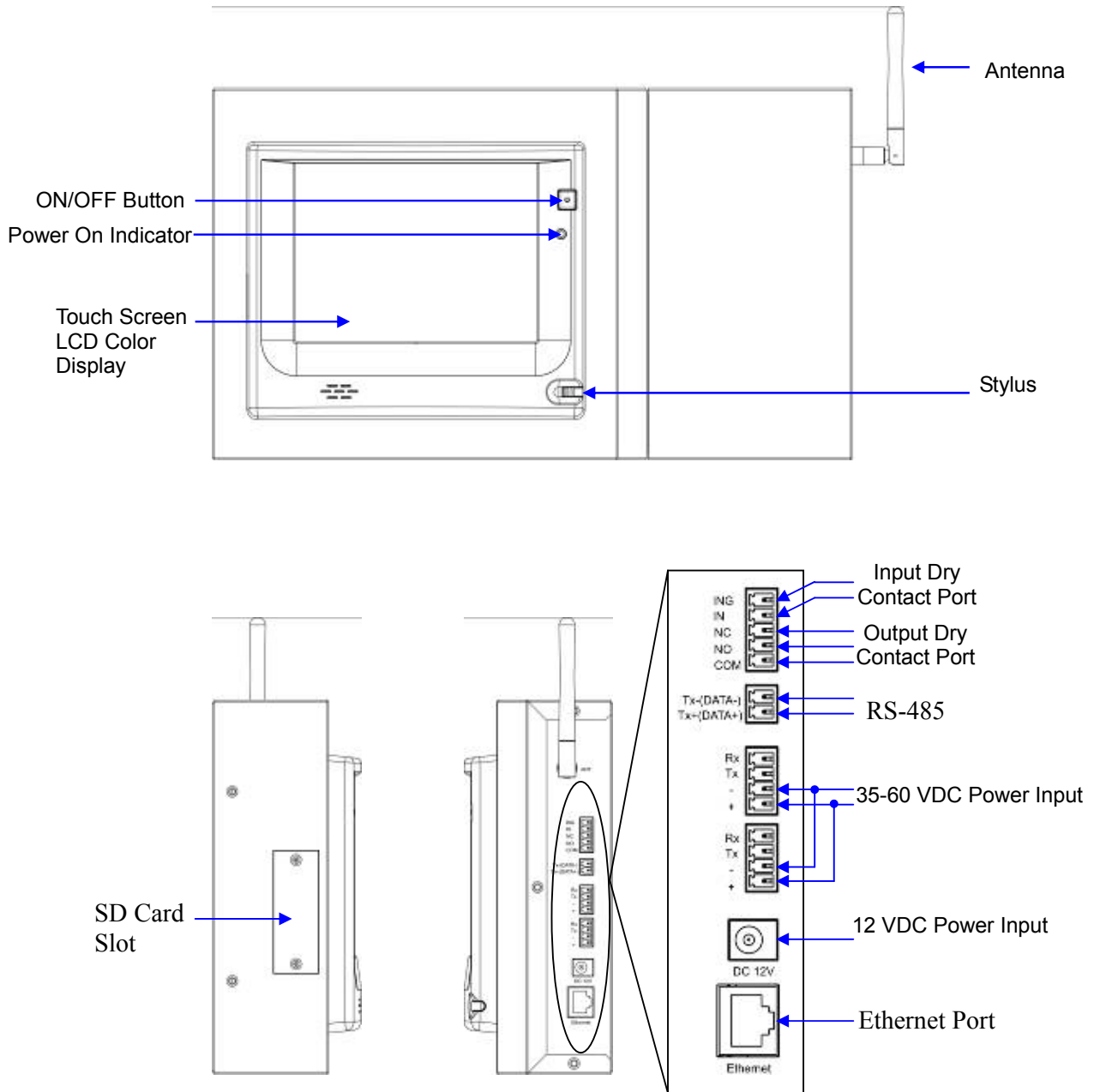


Figure 2. Data Collector (DC-LCD) External Features

**Table 1. Data Collector (DC-LCD) Specifications**

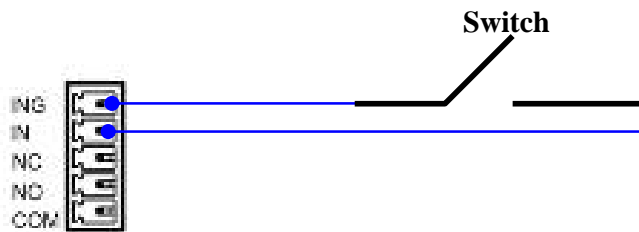
Model	FLU-BMS-DC-LCD
Operating Temperature	0-40°C / 32-104°F
Relative Humidity	≤ 95%
Input Power Supply	12 VDC / 48 VDC
Power Consumption	Maximum 12 W
Receiving Interface	RF 2.4 GHz for wireless <sup>1</sup>
Communication Ports	Ethernet x 1 RS-485 x 1 Output Dry Contact Port x 1 Input Dry Contact Port x 1
Monitoring Nodes	Maximum 256 nodes per system
Display Type	LCD 6.4" Graphic Touch Screen
Storage Media	2 Gigabyte SD/MMC Flash Memory Card <sup>2</sup>
Dimensions (H x W x D)	9.8" x 14.9" x 3.2"
Weight	6.6 lbs

<sup>1</sup>Maximum receiving distance is rated at 164 ft. in a non-enclosed room or cabinet. Recommended distance is 98 ft. for optimal performance. The layout of the installation environment, shelter and other factors can weaken transmitting signal and shorten the transmitting distance, thereby affecting the quality of wireless communications.

<sup>2</sup>Continuous storage for up to 40 months at a 5-minute recording interval for 256 nodes. Recording interval is configurable.

The Input Dry Contact Port enables the user to connect an external switch with which to change the recording interval time. Refer to Data Record Setup in Section 3-2.3.4.2 and Dry Contact Setup in Section 3-2.3.8.

The Input Dry Contact will be active when the external switch is closed.



**Figure 3. Input Dry Contact Connections**

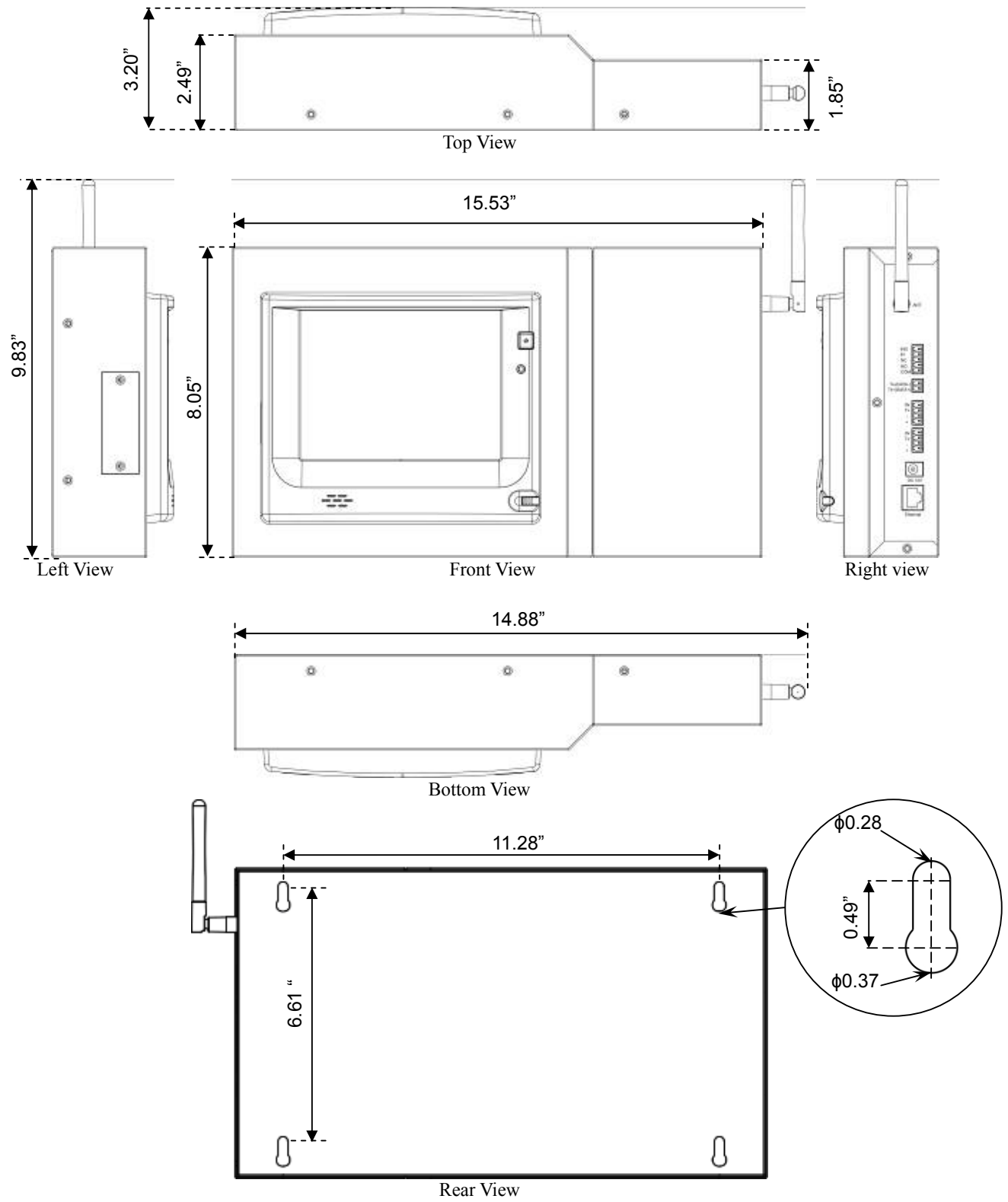


Figure 4. Data Collector (DC-LCD) Dimension Drawings

## 1-2 Battery Measurement Kit (BMK)

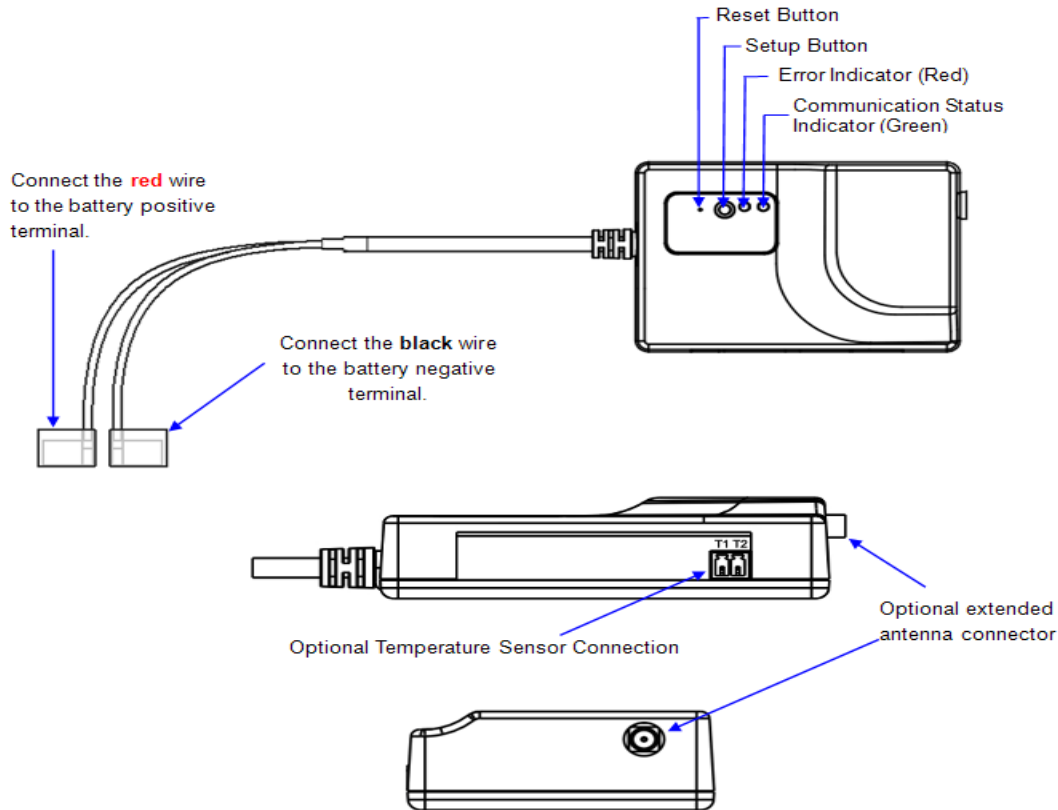


Figure 5. Battery Measurement Kit (BMK) External Features

Table 2. Battery Measurement Kit (BMK) Button Function Description

Button	Function Description
Reset	Press this button to reset the BMK when it is not working properly.
Setup	<p>This button sets and clears the communication settings in the DC-LCD.</p> <p>Set Communication Settings: After you press this button the Communication Status Indicator will flash to indicate that the BMK is communicating with the DC-LCD. The indicator will turn off when the DC-LCD settings are completely configured.</p> <p>Clear Communication Settings: Press this button for 4 seconds (or until Error Indicator illuminates solid red) to clear the communication settings. The Communication Status Indicator will shine solid green once the Setup button is released to show the DC-LCD settings are cleared.</p>

**Table 3. Battery Measurement Kit (BMK) Specifications**

Model	FLU-BMS-BMK-002A	FLU-BMS-BMK-006A	FLU-BMS-BMK-012A	FLU-BMS-BMK-012B
Cell Voltage	2 V	6 V	12 V	
Cell Voltage Measurement Range	1.48-4.00 V	4.2-8.0 V	8.5-16.0 V	
Accuracy	±10 mV			
Battery Impedance Resolution	0.01 mΩ	0.03 mΩ	> 65 Ah	< 65 Ah
			0.03 mΩ	0.10 mΩ
Cutoff Voltage <sup>1</sup>	1.48-1.55 V (Default 1.5 V)	4.2-4.5 V (Default 4.5 V)	8.5-9.3 V (Default 9.0 V)	
Start Up Voltage <sup>2</sup>	1.65 V	4.8 V	9.6 V	
Temperature Measurement Range <sup>3</sup>	0-100°C / 32-212°F			
Accuracy	±1°C / 1.8°F			
Operating Temperature	0-50°C / 32-122°F			
Humidity	≤ 95%			
Power Consumption	≤ 0.5 W			
Input Impedance	1 MΩ			
Transmitting Interface <sup>4</sup>	RF 2.4 GHz Wireless			
Sampling Rate	1 Hz (1-second sampling interval)			
Dimensions (H x W x D)	1.1" x 3.9" x 2.8"			
Weight	3.4 oz			

<sup>1</sup>When the battery voltage is too low the BMK will automatically stop working to avoid draining the battery during a charger failure or power outage. The cutoff voltage can be configured. Refer to Section 3-2.4.7 of this manual.

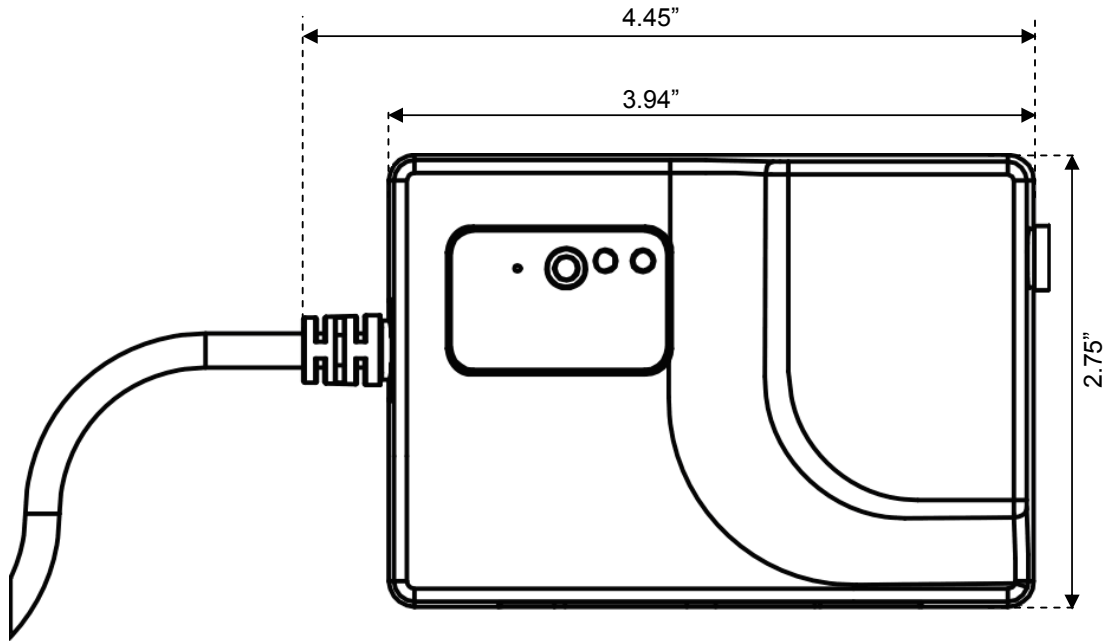
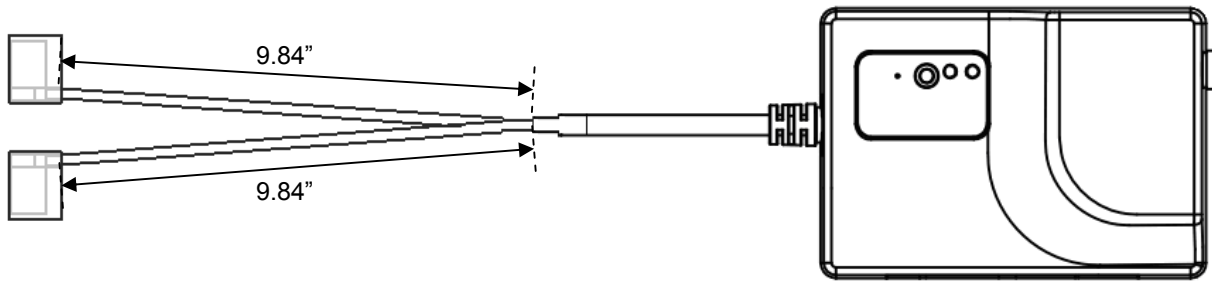
<sup>2</sup>The BMK cannot start up when the battery voltage is too low.

<sup>3</sup>An optional Temperature Sensor is required to measure battery terminal temperature.

<sup>4</sup>Maximum transmitting distance is rated at 164 ft. in a non-enclosed room or cabinet. Recommended distance is 98 ft. for optimal performance. The layout of the installation environment, shelter and other factors can weaken transmitting signal and shorten the transmitting distance, thereby affecting the quality of wireless communications. An external antenna is recommended (see Section 1-4.4 of this manual).

**Table 4. Battery Measurement Kit (BMK) LED Indicators Description**

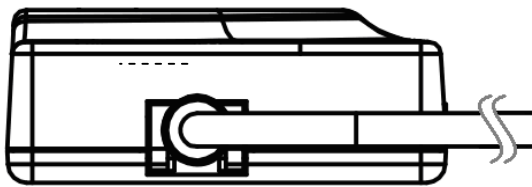
Indicator	Status	Description
Communication Status (Green)	On	This BMK is abnormal.
	On	This BMK has not yet configured its communication settings.
	Flashing	This BMK is transmitting data or communication settings.
	Off	This BMK's communication settings have been configured, and now there is no data transfer.



Top View



Side View



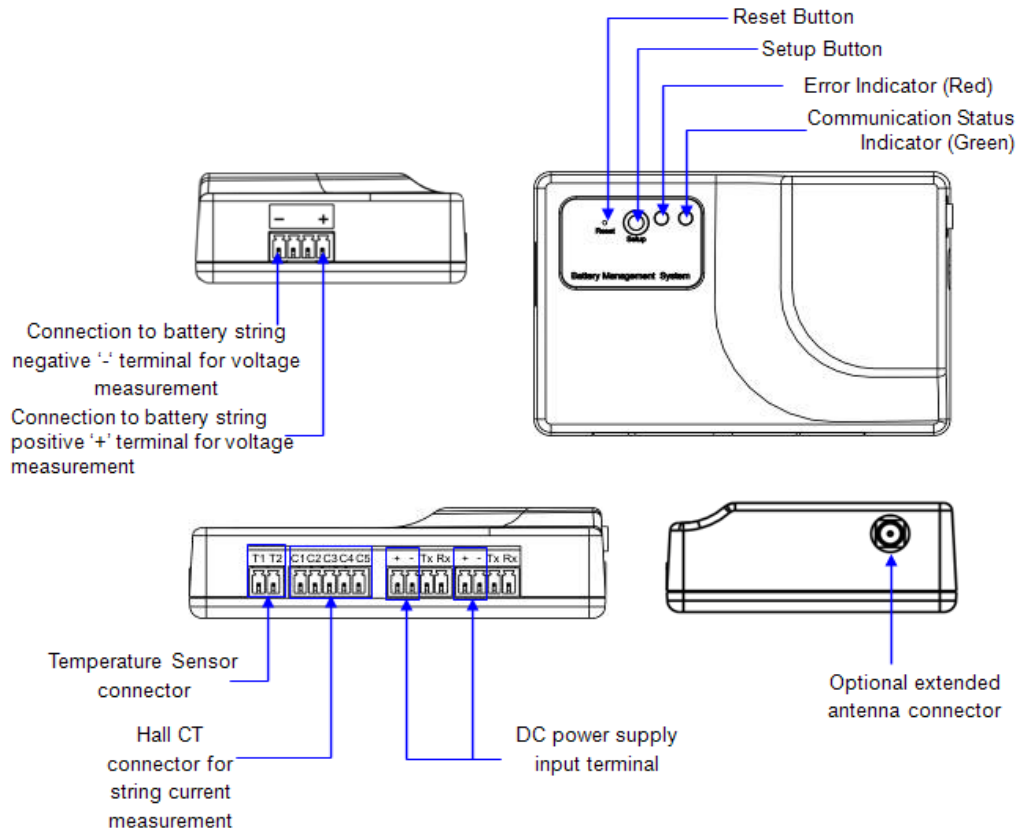
Left View



Right View

Figure 6. Battery Measurement Kit (BMK) Dimension Drawings

### 1-3 String Measurement Kit (SMK)



**Figure 7. String Measurement Kit (SMK) External Features**

**Table 5. String Measurement Kit (SMK) Button Function Description**

Button	Function Description
Reset	Press this button to reset the SMK when it is not working properly.
Setup	<p>This button sets and clears the communication settings in the DC-LCD.</p> <p>Set Communication Settings: After you press this button the Communication Status Indicator will flash to indicate that the SMK is communicating with the DC-LCD. The indicator will turn off when the DC-LCD settings are completely configured.</p> <p>Clear Communication Settings: Press this button for 4 seconds (or until Error Indicator illuminates solid red) to clear the communication settings. The Communication Status Indicator will shine solid green once the Setup button is released to show the DC-LCD settings are cleared.</p>

**Table 6. String Measurement Kit (SMK) Specifications**

Model	FLU-BMS-SMK-0750
Voltage Measurement Range	0-750 VDC
Normal Voltage Range	20-750 VDC
Accuracy	±0.2% of normal voltage
Current Measurement Range <sup>1</sup>	0-3000 A
Accuracy	±3%
Temperature Measurement Range <sup>2</sup>	0-100°C / 32-212°F
Accuracy	±1°C / 1.8°F
Operating Temperature	0-50°C / 32-122°F
Humidity	≤ 95%
Input Power Supply Range	35-60 VDC
Power Consumption	Maximum 3 W
Input Impedance	1 MΩ
Transmitting Interface <sup>3</sup>	RF 2.4 GHz Wireless
Sample Rate	1 Hz
Dimensions (H x W x D)	1.1" x 3.9" x 2.8"
Weight	3.1 oz

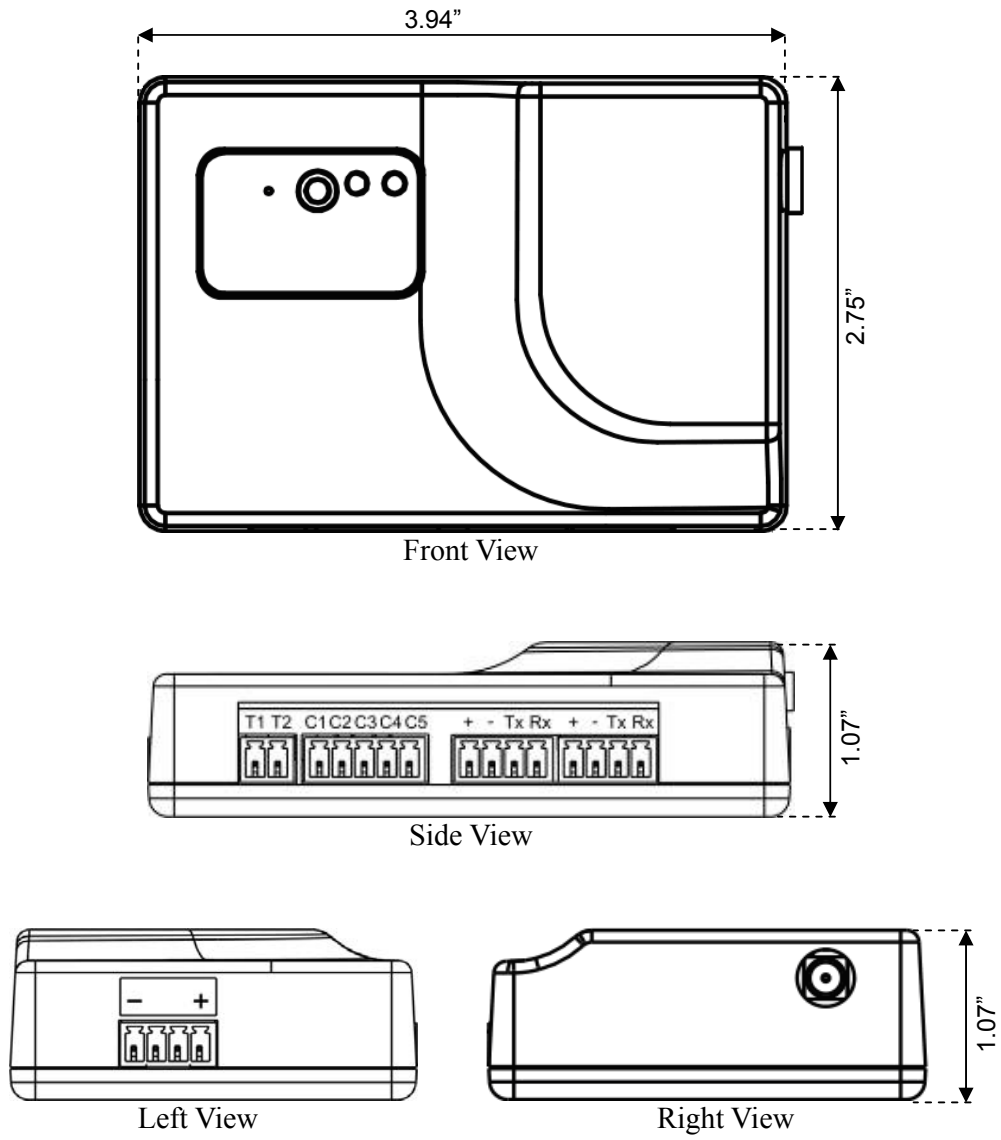
<sup>1</sup>An optional Hall CT Kit (HCT) is required to measure battery string current.

<sup>2</sup>An optional Temperature Sensor (TES) is required to measure environmental temperature.

<sup>3</sup>Maximum transmitting distance is rated at 164 ft. in a non-enclosed room or cabinet. Recommended distance is 98 ft. for optimal performance. The layout of the installation environment, shelter and other factors can weaken transmitting signal and shorten the transmitting distance, thereby affecting the quality of wireless communications. An external antenna (ANT) is recommended (see Section 1-4.4 of this manual).

**Table 7. String Measure Kit (SMK) LED Indicators Description**

Indicator	Status	Description
Error (Red)	On	This SMK is abnormal.
Communication Status (Green)	On	This SMK has not yet configured its communication settings.
	Flashing	This SMK is transmitting data or communication settings.
	Off	This SMK's communication settings have been configured, and now there is no data transfer.



**Figure 8. String Measurement Kit (SMK) Dimension Drawings**

## 1-4 Other Accessories

### 1-4.1 Optional Hall CT Kit (HCT)



BMS-HCT 50 ~ 600A

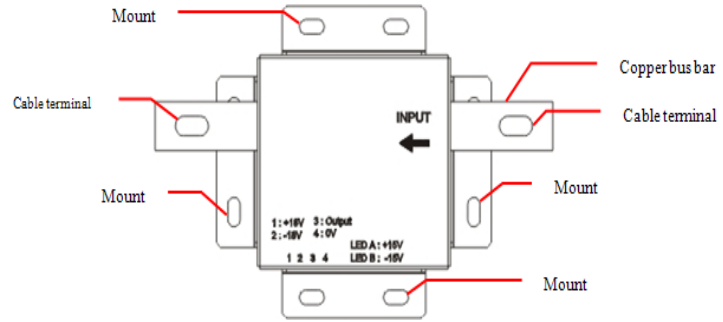
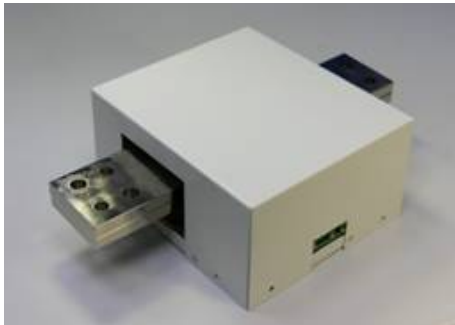


Figure 9. Hall CT Kit (HCT) 50 ~ 600A External Features



BMS-HCT 2000A

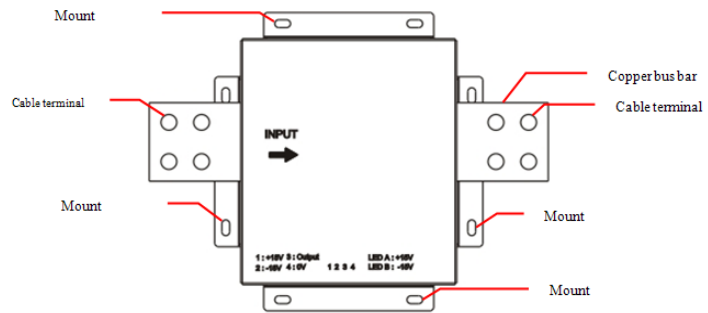


Figure 10. Hall CT Kit (HCT) 2000A External Features

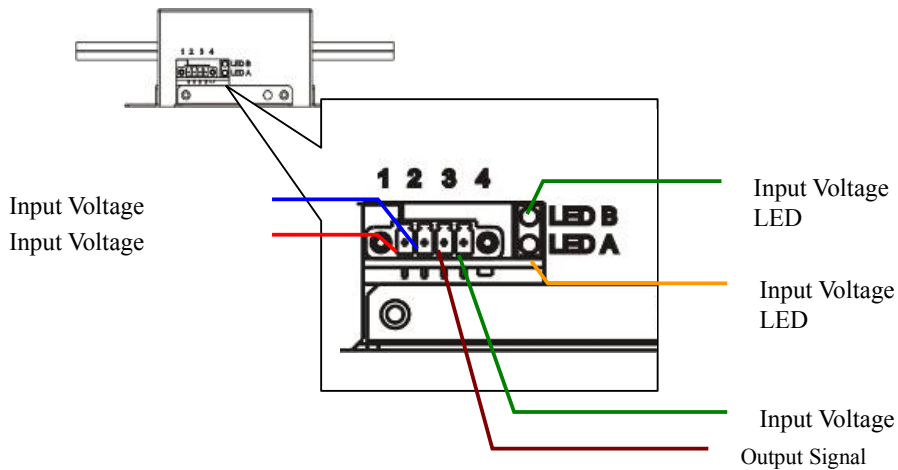
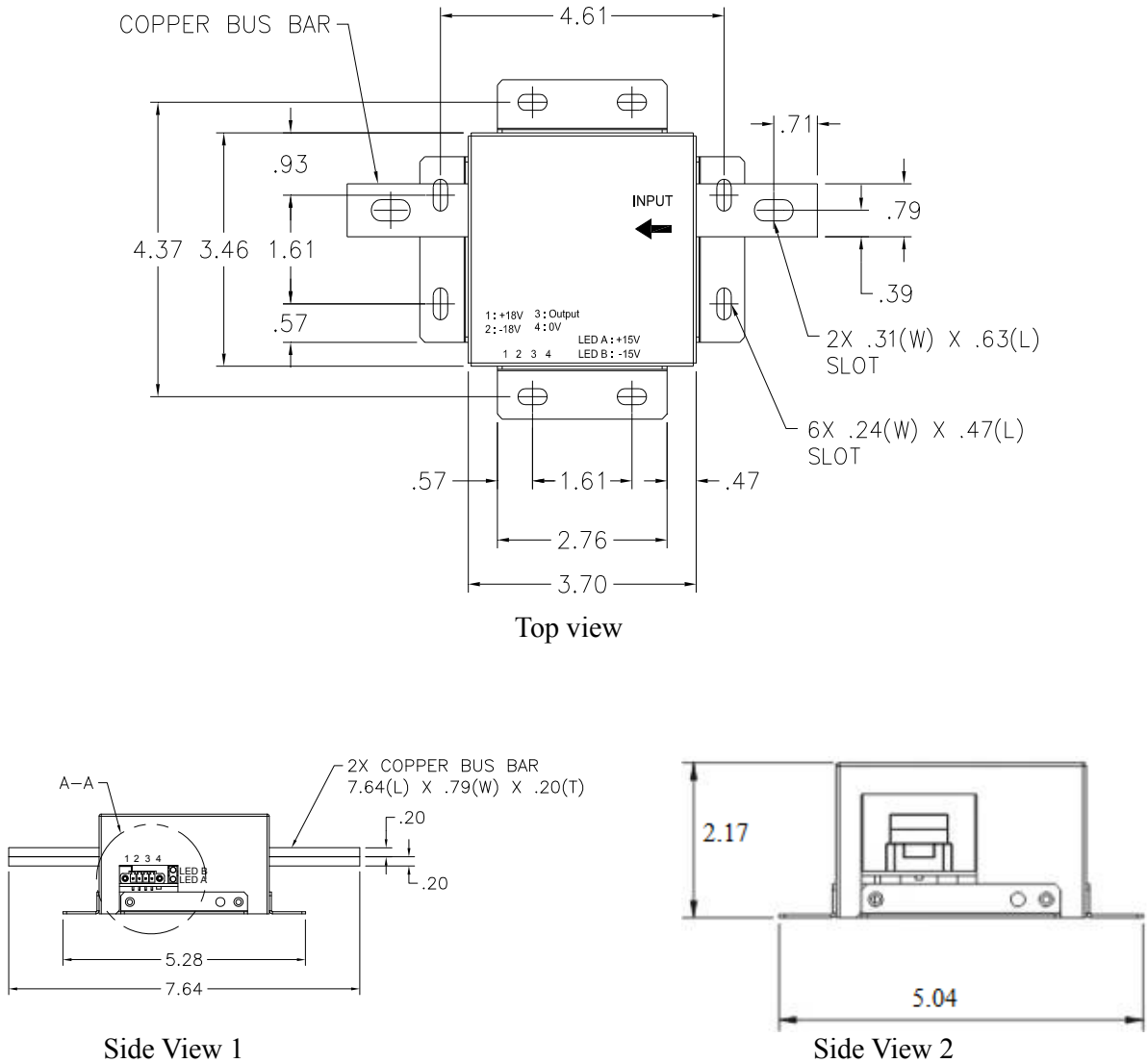


Figure 11. Hall CT Kit (HCT) Signal Connection Terminal Block

**Table 8. Hall CT Kit (HCT) Specifications**

Model	FLU-BMS-HCT-005	FLU-BMS-HCT-010	FLU-BMS-HCT-030	FLU-BMS-HCT-060	FLU-BMS-HCT-200
Hall CT Ratings	50 A	100 A	300 A	600 A	2000 A
Dimensions (HxWxD)	2.2" x 7.6" x 5.0"				3.4" x 7.6" x 9.0"
Weight	1.4 lbs		1.8 lbs		11.0 lbs

Note: To be used with an SMK.



**Figure 12. Hall CT Kit (HCT) 50 ~ 600A Dimension Drawings**

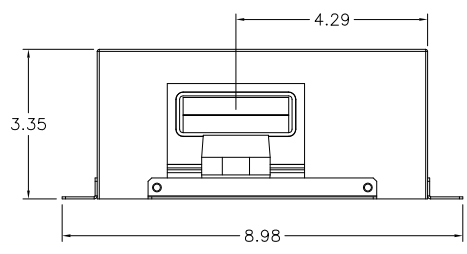
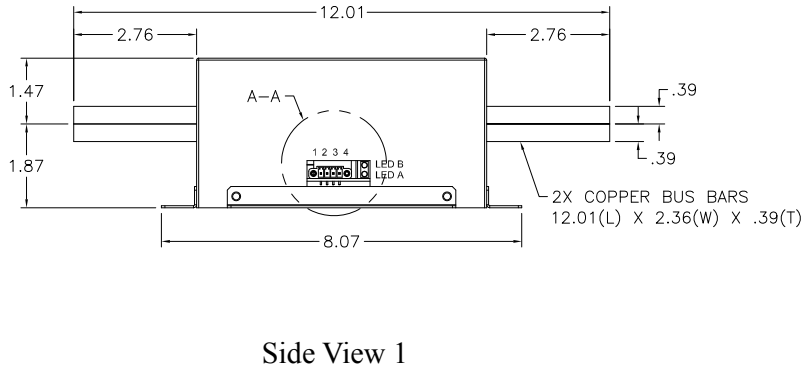
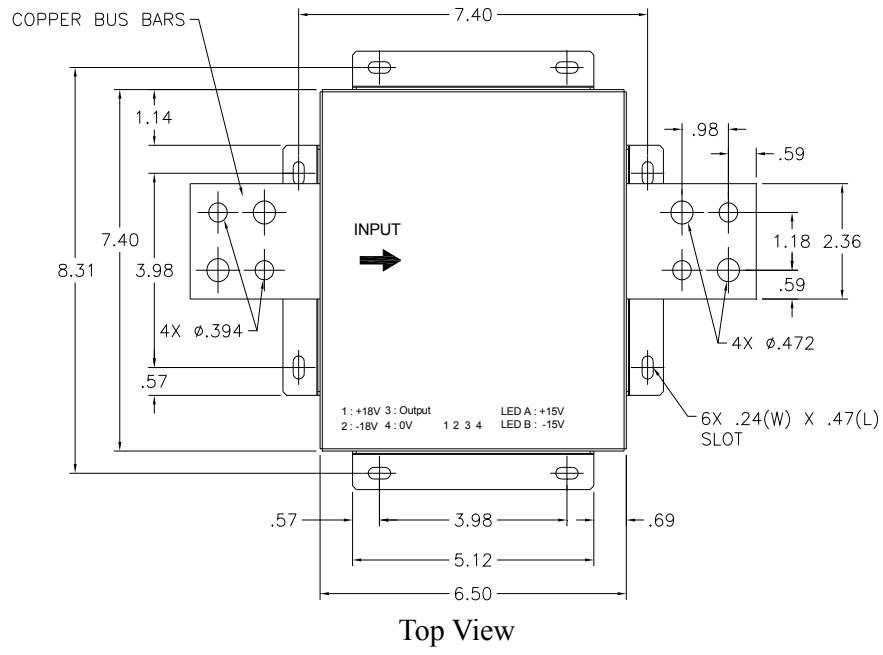
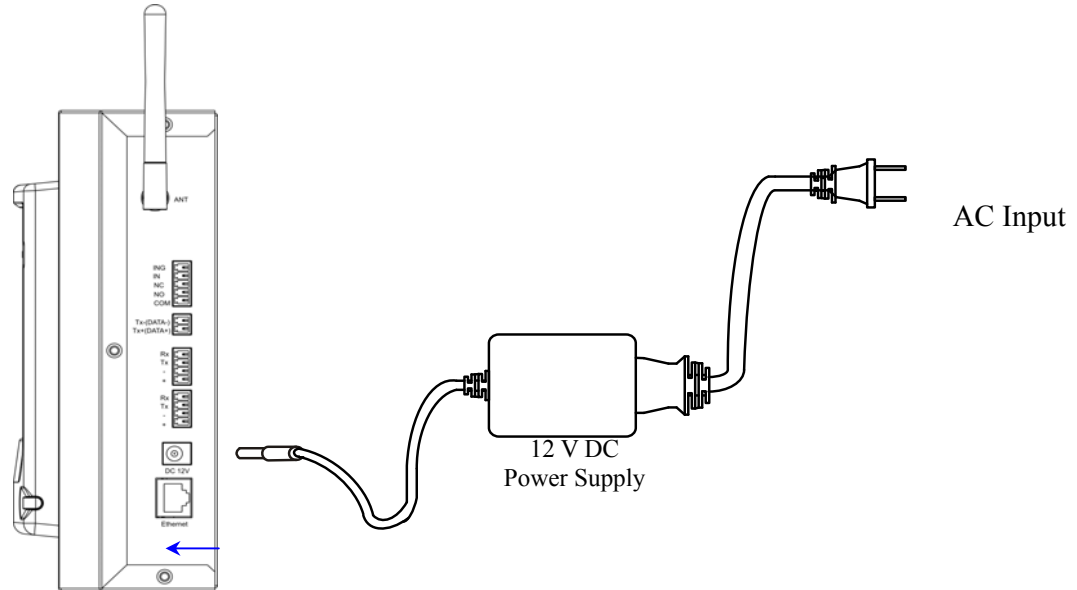


Figure 13. Hall CT Kit (HCT) 2000A Dimension Drawings

## 1-4.2 DC Power Supplies (DPS)

### 1-4.2.1 12 V DC Power Supply (FLU-BMS-DPS-012A)

The DC Power Supply converts single-phase 120VAC power to 12 V DC to supply power to a DC-LCD. One (1) power supply required for each DC-LCD.



Input Power Plug NEMA 5-15P


Model	FLU-BMS-DPS-012A
Power Plug	USA 

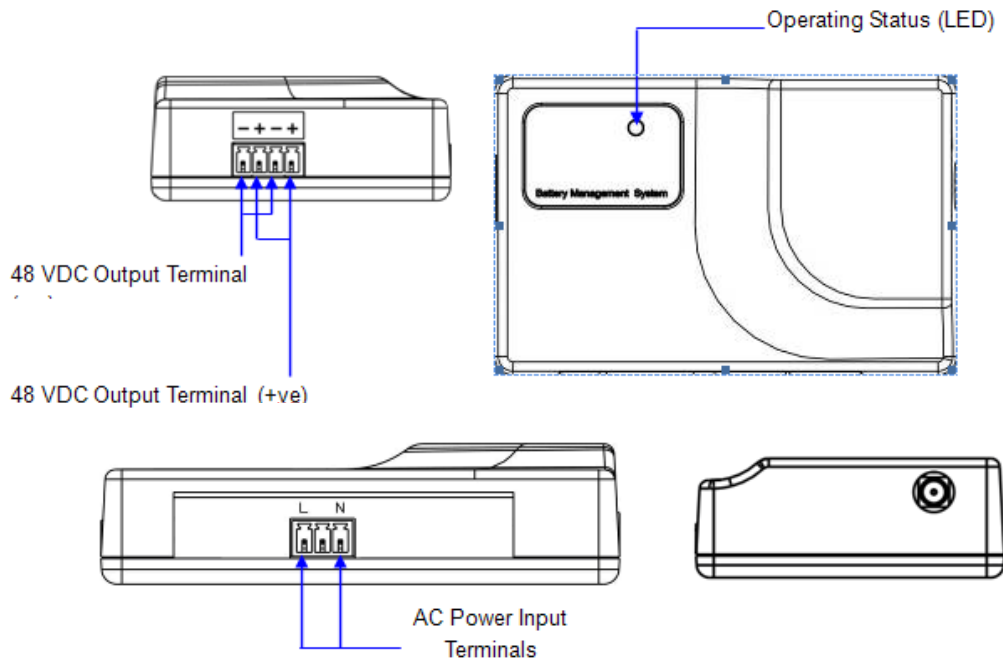
Figure 14. DC Power Supply FLU-BMS-DPS-012A Features

### 1-4.2.2 48 V DC Power Supply (FLP-BMS-DPS-048A)

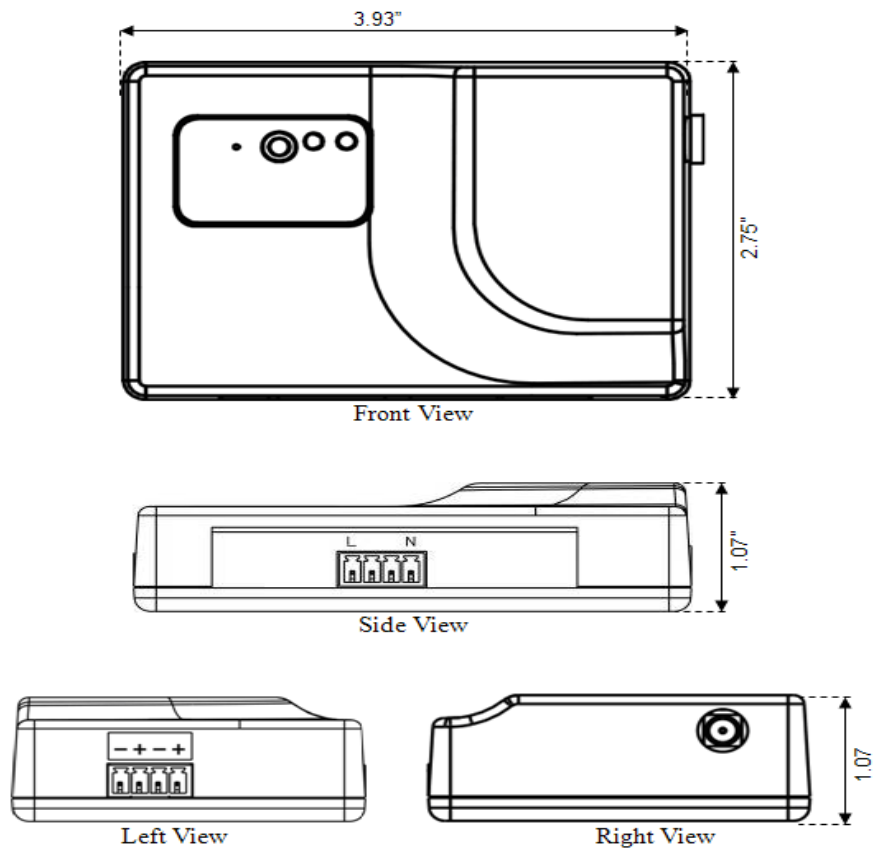
The DC Power Supply converts single-phase **120VAC** power to **48 V DC** to supply power to a String Measurement Kit (SMK). One (1) DC power supply kit can supply up to five SMKs.

Table 9. DC Power Supply DPS-048A Specifications

Model	FLU-BMS-DPS-048A
Input Power	120VAC 50/60 Hz
Output Power	48 VDC, 15 watts
Dimensions (H x W x D)	1.1" x 3.9" x 2.8"
Weight	5.3 oz



**Figure 15. DC Power Supply FLU-BMS-DPS-048A External Features**



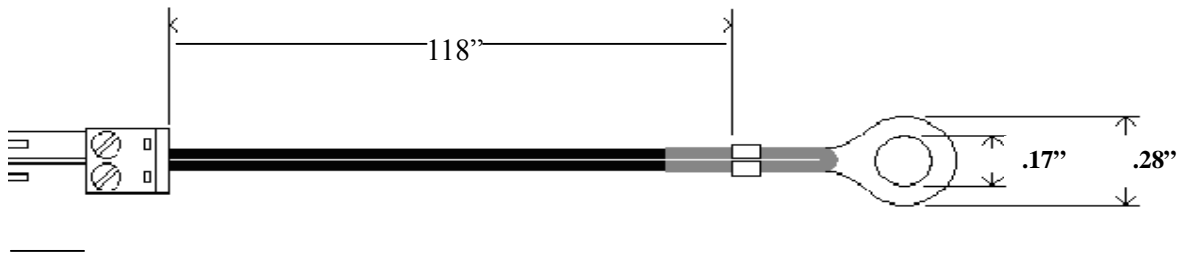
**Figure 16. DC Power Supply FLU-BMS-DPS-048A Dimension Drawings**

### 1-4.3 Optional Temperature Sensor (TES)

The TES can be connected to a BMK or SMK to measure individual battery cell terminal temperature or environmental temperature. Electrical tape may be used to hold the TES in place.

**Table 10. Temperature Sensor Specifications**

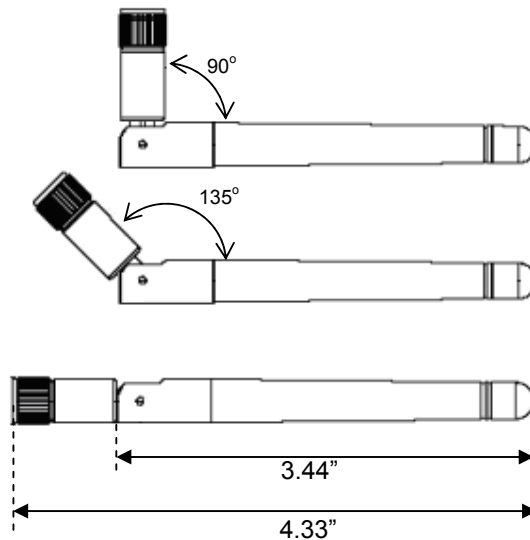
Model	FLU-BMS-TES
Measurement Range	0-100°C / 32-212°F
Length	118"



**Figure 17. Temperature Sensor (TES) Dimension Drawing**

### 1-4.4 Optional Extension Antenna (ANT)

The extension antenna (RECOMMENDED) can be attached to a BMK or SMK to increase the wireless signal strength and enhance performance; however, the addition of this extension antenna DOES NOT increase the transmitting-receiving distance between the BMK, SMK, and DC-LCD.



**Figure 18. Antenna Dimension Drawing**

## 1-4.5 Battery Terminal Auxiliary Connector Board (BTA) & Terminal Adaptor Quick Connect

The Battery Terminal Auxiliary connector board includes one board for up to four connections. The board comes in three different diameter sizes: 6φ (6 mm), 8φ (8 mm), and 10φ (10 mm). Be sure to verify the battery terminal size before purchasing.

The BTA is designed to make the installation of a BMK onto a battery cell fast and easy. Two (2) BTA boards or Terminal Adaptor Quick Connects are required for each battery cell, one (1) for the positive “+” terminal and one (1) for the negative “-” terminal.

For each battery cell, first install a BTA board on the “+” and “-” battery terminals and fasten the bolts. If using Terminal Adaptor Quick Connects, install one per battery lead. Connect the black “-” cable and red “+” cable of the BMK onto the snap-on terminals.

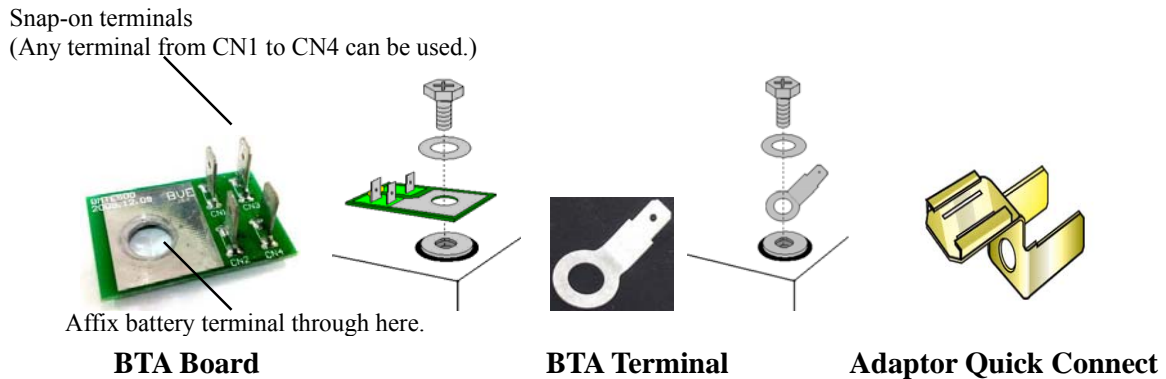


Figure 19. Battery Terminal Auxiliary Connector Board (BTA) and Terminal Adaptor Quick Connect

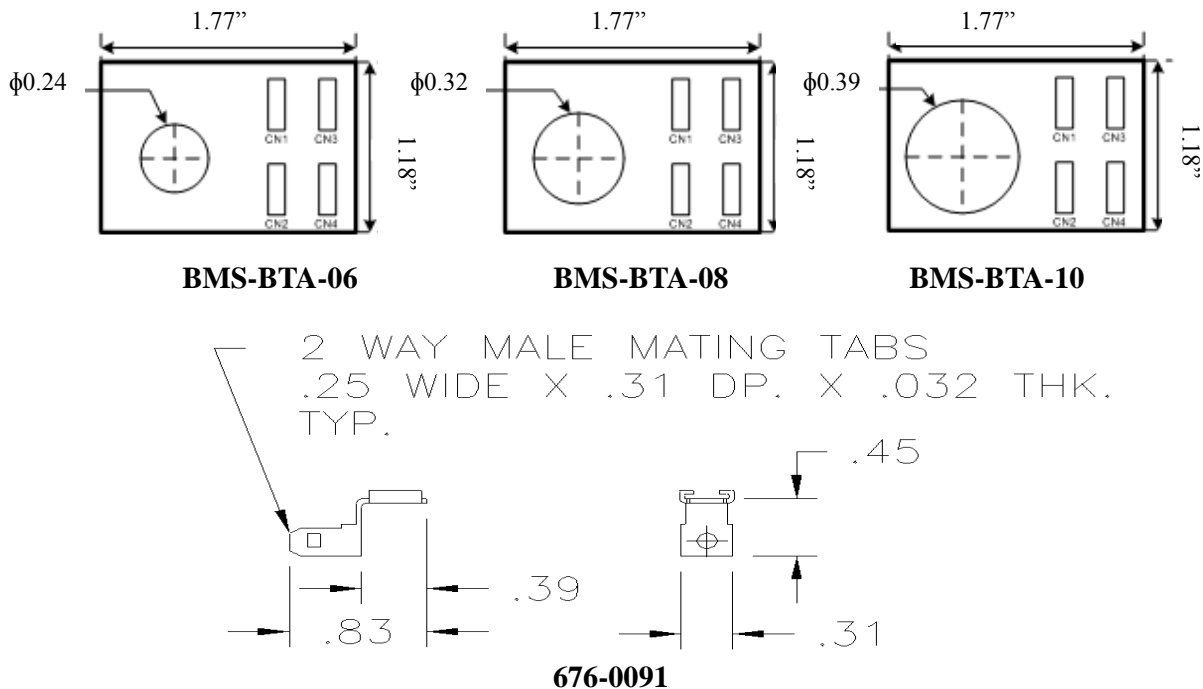


Figure 20. Battery Terminal Auxiliary Connector Board and Quick Connect Dimension Drawings

## 2. Installation Guide

### 2-1 Battery Measurement Kit (BMK) Installation

A BMK is required for each battery cell to measure the battery voltage. Battery Terminal Auxiliary (BTA) connector boards are recommended for use in conjunction with BMKs.

1. Ensure that all installation personnel are adequately trained prior to installation.
2. First attach a Battery Terminal Auxiliary (BTA) board to each “+” and “-” battery terminal as shown below. Make sure to place BTA over top of any metal device which may connect batteries in series or parallel to avoid passing full current through the BTA.

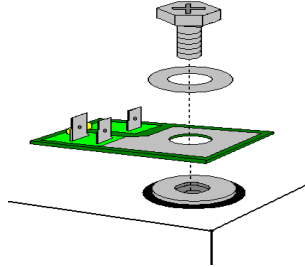


Figure 21. Battery Terminal Auxiliary (BTA) Drawings

3. Remove the backing from the adhesive patches on the BMK then position and mount the BMK onto the top or side of the battery block.



Figure 22. Adhesive Patches on the BMK

4. Use an insulated pair of pliers (**Important: Do not use your bare hands!**) to connect the black (-) and red (+) cables of the BMK to the respective snap-on terminals of the BTA board.

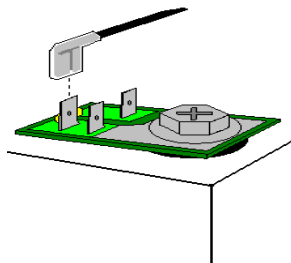
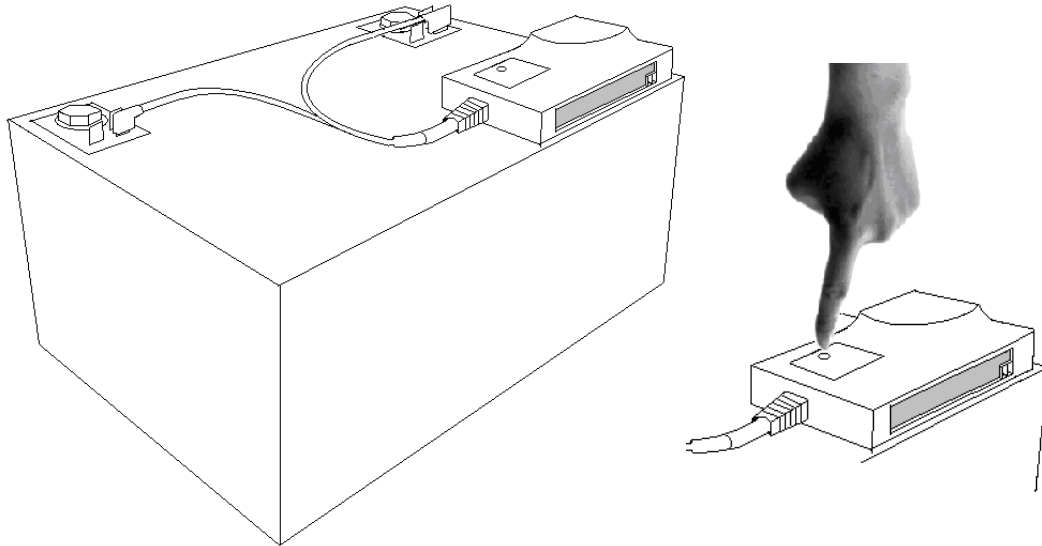


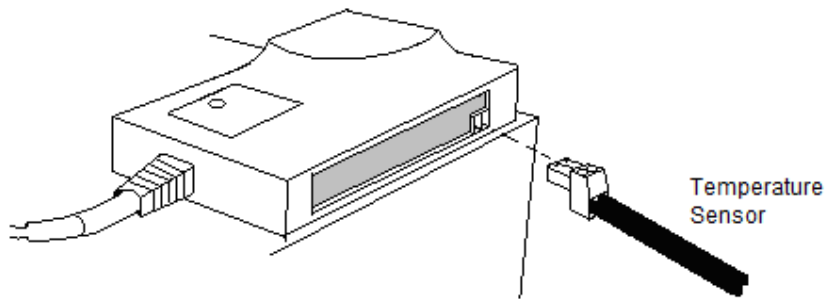
Figure 23. Connection of the BMK to the BTA Board

- The following figure shows a completed BMK setup using two BTA boards. A green LED will shine if the BMK is correctly connected to the battery terminals. If the LED does not shine press the Setup button for 4 seconds to clear the setting and make the green LED shine.



**Figure 24. Complete BMK Setup**

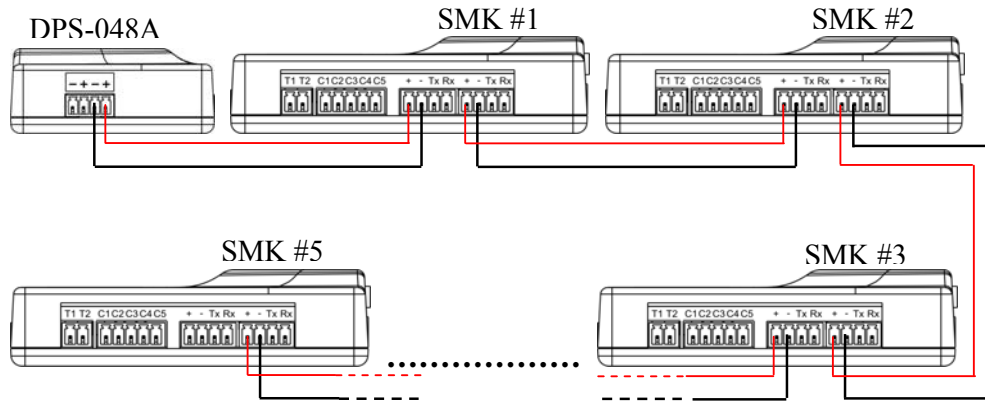
- Attach the optional Temperature Sensor (TES) (if purchased) to the BMK if you wish to measure the battery temperature.



**Figure 25. Temperature Sensor Attachment Location**

## **2-2 String Measurement Kit (SMK) Installation**

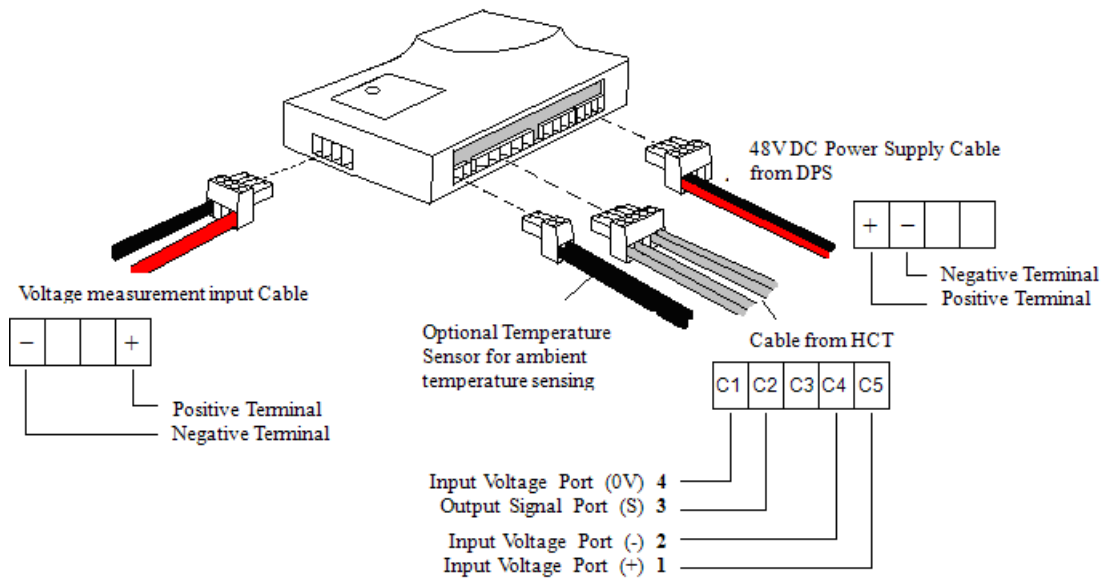
A SMK can be installed at the DC bus terminals to measure total system voltage and current. Also, an SMK can be installed on each individual battery string to measure the battery string voltage and current. Please note that an optional Hall Current Transformer (HCT) with correct current ratio must be installed with each SMK for total current or string current measurement. For details on Hall Current Transformers, contact Staco Energy Products Co.



**Figure 26. String Measurement Kit Assembly**

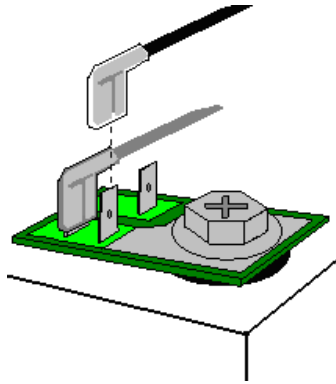
**SMK Installation Steps:**

1. Remove the backing from the adhesive patches on the SMK, then position and mount the SMK securely onto the Hall Current Transformer (HCT) if purchased, or the equipment (e.g. UPS). Use a cable tie for more secure mounting if necessary.
2. Organize the necessary measuring cables and terminate each of the loose cable ends in a terminal block for easy connection to the SMK sockets.
3. Plug the terminal blocks into the SMK as illustrated below.



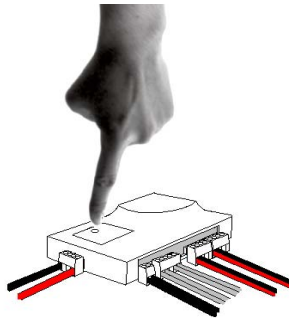
**Figure 27. SMK Connection Assembly**

4. Connect the SMK wires to the appropriate positive and negative battery string terminals on the BTAs.



**Figure 28. Connection of the SMK to the BTA Board**

5. A green LED will illuminate if the SMK is correctly connected to the battery terminals. If the LED does not illuminate press the Setup button for 4 seconds to clear the setting and make the green LED illuminate.

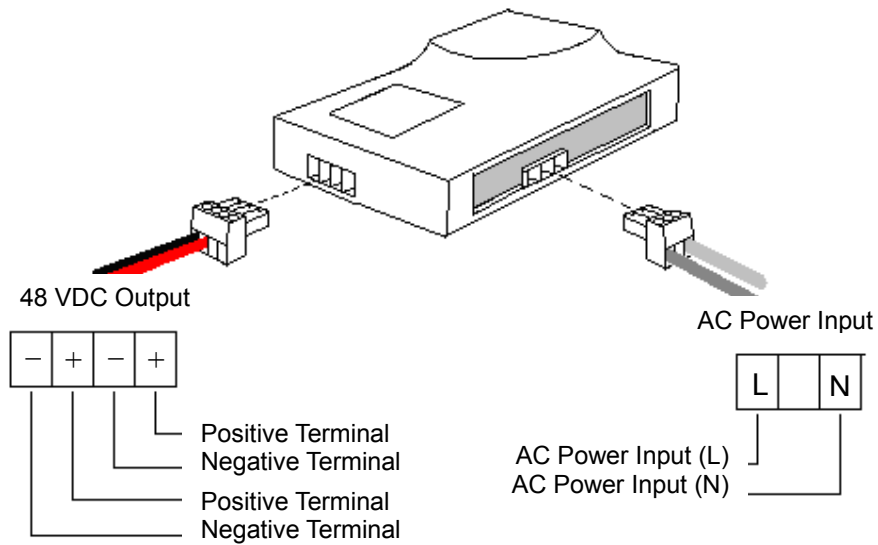


**Figure 29. Location of the LED indicator Light**

### **2-3 DC Power Supply (FLU-BMS-DPS-048A) Installation**

#### **FLU-BMS-DPS-048A Installation Steps:**

1. Remove the backing from the adhesive patches on the FLU-BMS-DPS-048A then mount it securely in the desired position. Use a cable tie for more secure mounting if necessary.
2. Terminate the 48 VDC output cable and AC power input cable in terminal blocks for easy connection to the FLU-BMS-DPS-048A sockets.
3. Connect the cables to the FLU-BMS-DPS-048A as illustrated in the following figure:



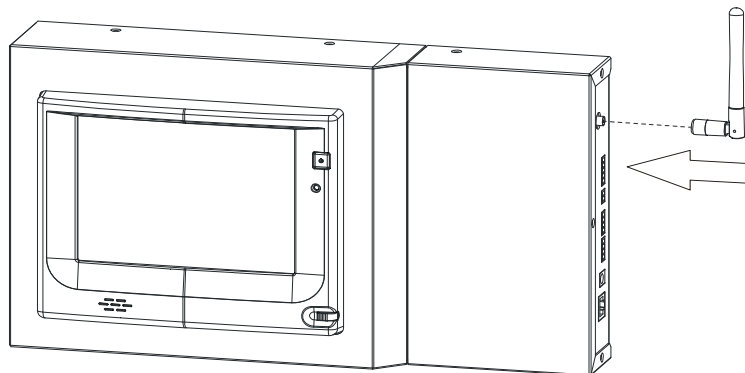
**Figure 30. Connection Assembly of the FLU-BMS-DPS-048A**

## 2-4 Data Collector (DC-LCD) Installation

The Data Collector (DC-LCD) receives the measurement signals from the BMKs and SMKs wirelessly. The measurement data is displayed graphically on the color LCD touch-screen panel. The data is compressed and stored in a 2 GB SD card *FirstLine BMS* system configuration and controls are also performed using the DC-LCD.

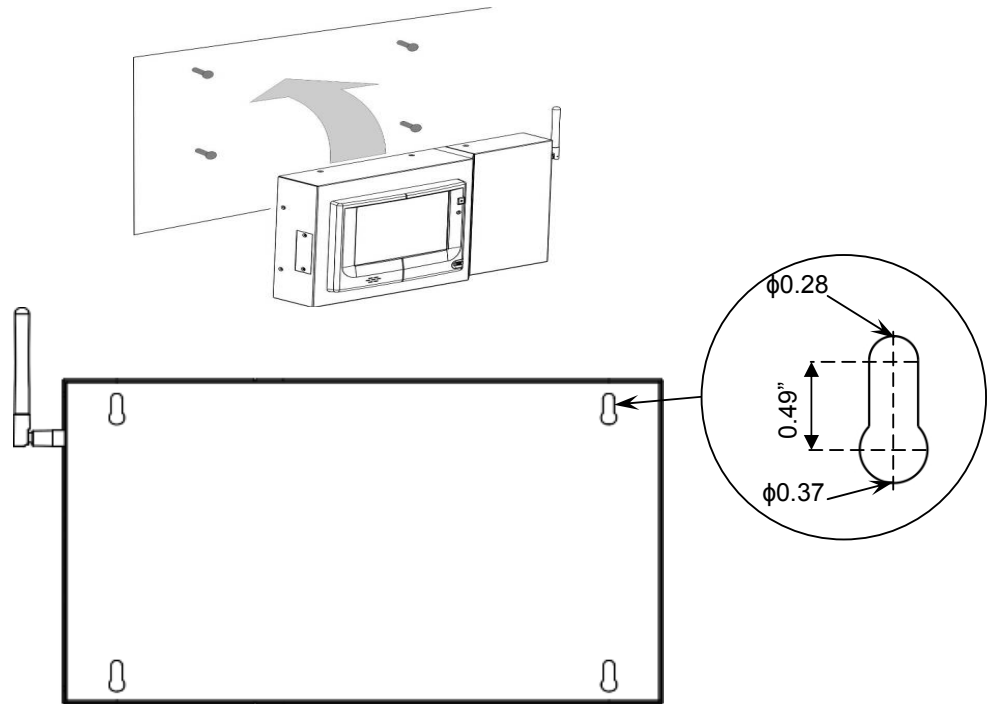
### Data Collector Installation Steps:

1. Attach the antenna to the DC-LCD as illustrated below.



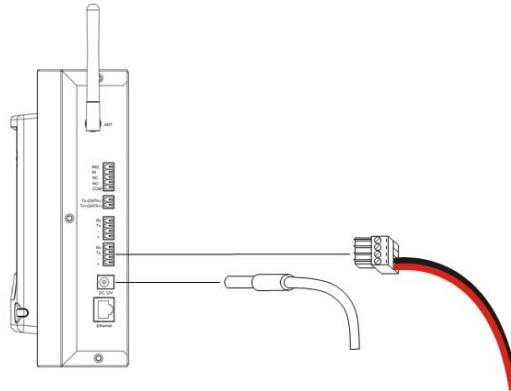
**Figure 31. Location of Antenna Placement on the DC-LCD**

2. Mount the DC-LCD on a wall or battery cabinet using the mounting holes on the back of the DC-LCD.



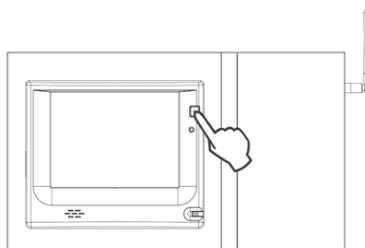
**Figure 32. Data Collector Mounting Holes**

3. The DC-LCD has two power input options: 48 VDC and 12 VDC. Select the one that is available on site and most suitable to your application.



**Figure 33. Location of Input Sources on the DC-LCD**

4. Push the ON/OFF button to turn on the DC-LCD.



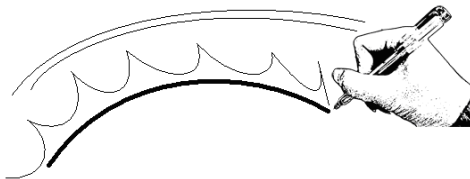
**Figure 34. Location of the ON/OFF Button on the DC-LCD**

### 3. Data Collector (DC-LCD) Operating Guide

The DC-LCD panel is a touch-screen device. To operate the touch-screen panel please use the stylus provided.

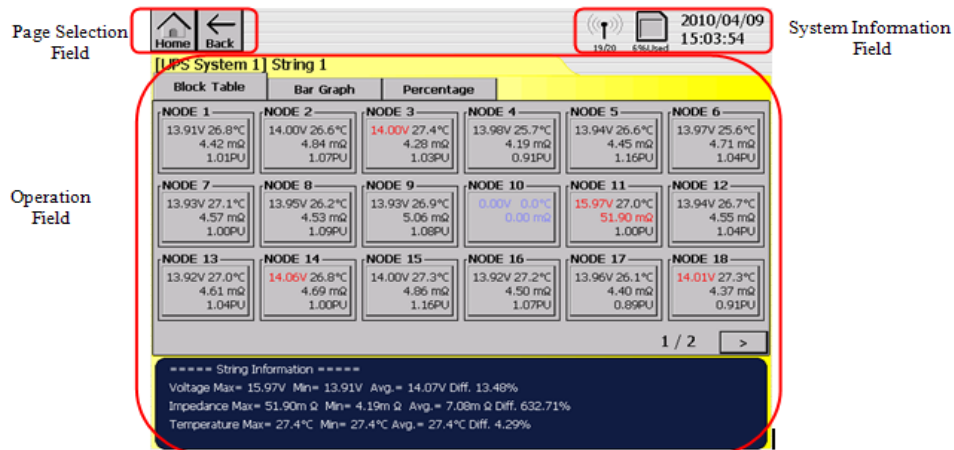
Drag across the screen to navigate.

Tap on the screen to enter information.



#### 3-1 Screen Panel Introduction

The DC-LCD screen panel is divided into three fields: “Page Selection”, “System Information” and “Operation” as illustrated below:



System Information Icons:



Total Nodes

Total Connected Nodes



Return to System Status.



4%Used Storage capacity of the SD card



Return to Previous Page.

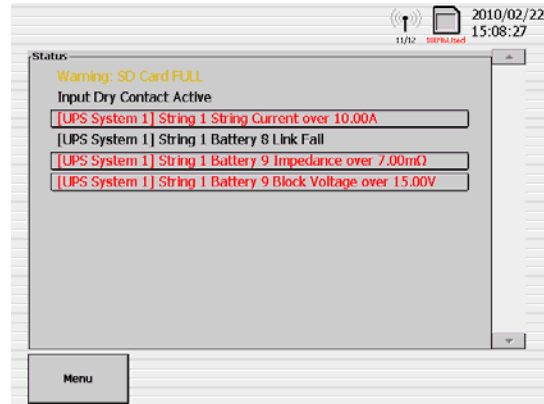
2010/04/09  
15:03:54

Year/Month/Day  
Hours : Minutes : Seconds

## 3-2 DC-LCD Functions

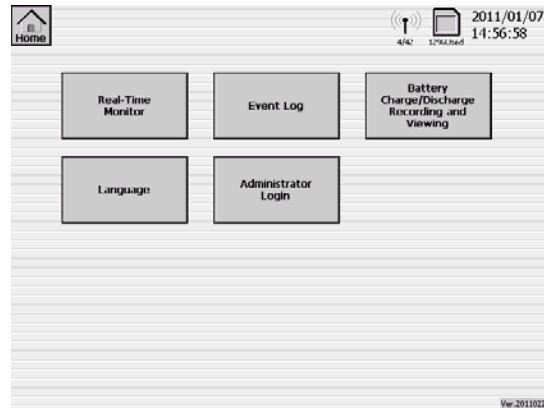
### 3-2.1 System Status Overview

- Displays occurring events.
- Click on a displayed event to view real-time battery measurement charts.
- Provides a system status overview.









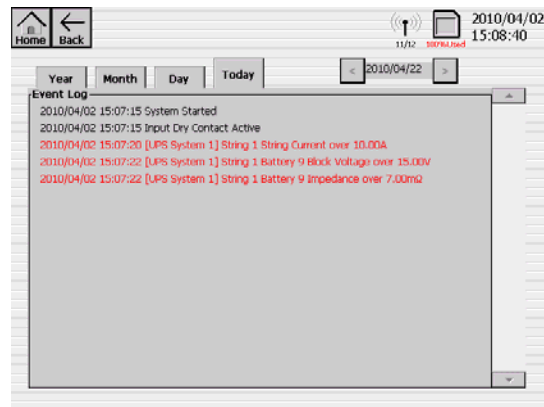
### 3-2.2 Menu

- For selecting functions.



#### 3-2.2.1 Event Log

- Go to the “Menu” page and click [Event Log].
- The event log can be viewed by year, month, or day.
- Select [Year] and use the arrow keys   to select the desired year. The newest 1,000 logs of the desired year will be shown.
- Select [Month] and use the arrow keys   to select the desired month. The newest 1,000 logs of the desired month will be shown.
- Select [Day] and use the arrow keys   to select the desired day. The newest 1,000 logs of the desired day will be shown.
- When viewing the event log, logged data will not automatically update. To allow the event log to successfully update, back out to the “Menu” page and then re-enter the Event Log.



### 3-2.2.2 Language

- Click 「Language」 to select the language used on the LCD display of the DC-LCD.

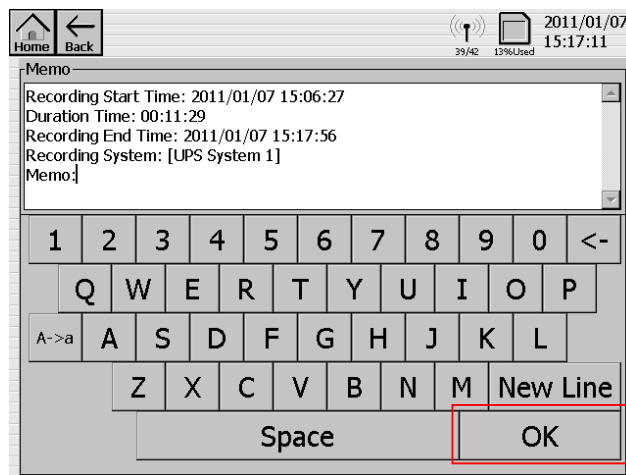
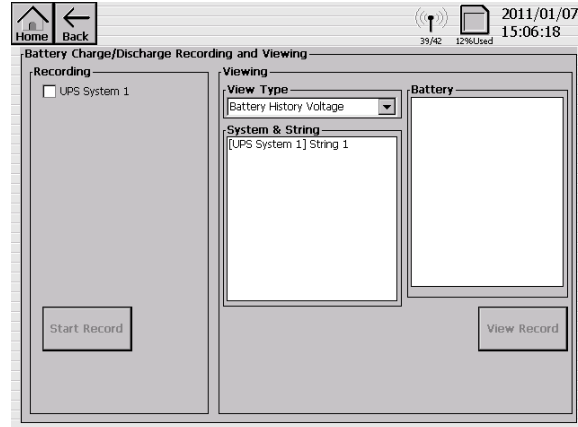
### 3-2.2.3 Battery Charge/Discharge Recording and Viewing

#### 3-2.2.3.1 Recording

- Enables the user to record battery performance during a system charge and discharge test.

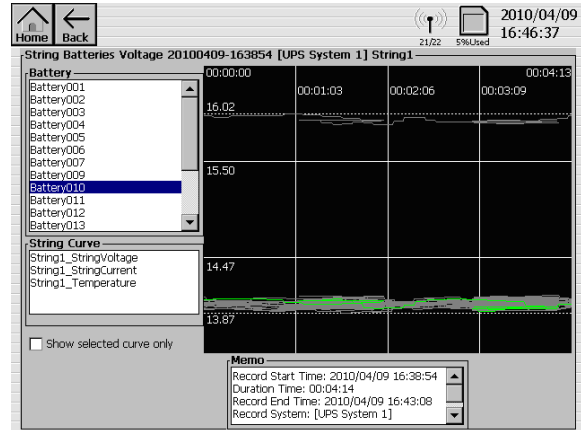
- Procedure:

1. Click “Battery Charge/Discharge Recording and Viewing” on the “Menu” page. In the “Recording” panel select the desired system (e.g. UPS System 1), and click [Start Record].
2. Command the UPS to perform a battery charge/discharge test according to the UPS operating instructions.
3. Once the UPS starts its charge/discharge test, a “Data Recording” dialogue box will pop up on the Data Collector screen. Click [Stop Record] to stop the recording.
4. You can type remarks pertaining to this test in the “Memo” box (up to 16,000 characters). Click "OK" to save the test records.



### 3-2.2.3.2 Viewing

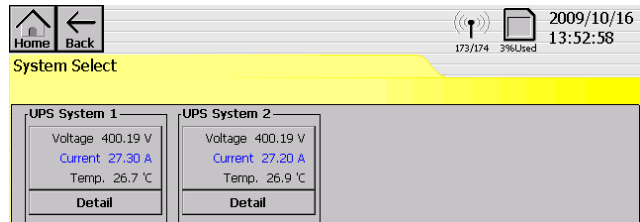
- Enables the user to review recorded battery performance during past and present system charge and discharge tests.
- Procedure:
  1. Go to the “Battery Charge/Discharge Recording and Viewing” page. In the “Viewing” panel select the desired historical data from the “View Type” box.
  2. There are four selections in “View Type” :
    - (i) Battery: Individual battery cells
    - (ii) Batteries in a String: All batteries connected to a particular string
    - (iii) String: Individual battery strings
    - (iv) Stings in a System: All battery strings connected to a particular system
  3. Click [View Record] to display the data.



### 3-2.2.4 Real-Time Monitor

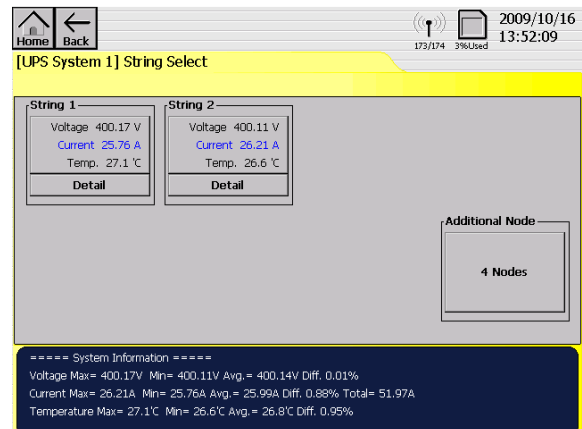
#### 3-2.2.4.1 System Select Page

- Displays the voltage and current (and ambient temperature **if** a TES is installed) of each connected system.



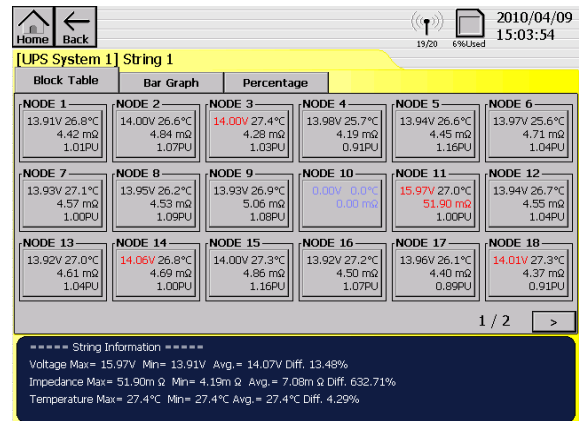
#### 3-2.2.4.2 String Select Page

- Displays the voltage and current (and ambient temperature **if** a TES is installed) of each connected battery string.



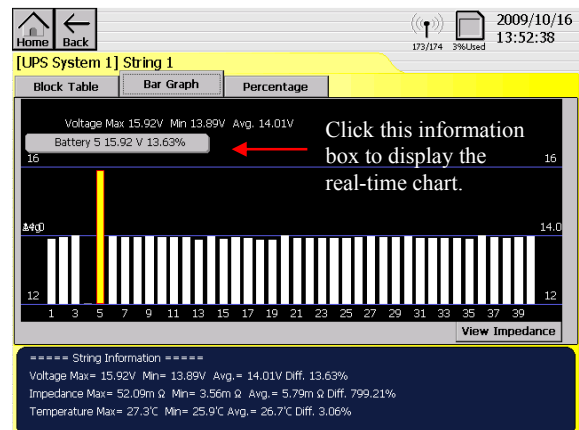
### 3-2.2.4.3 Block Table

- Click [Detail] on the [String] icon to view its Real-time Curve.
- Displays the voltage and impedance (and battery cell temperature if a TES is installed) of individual connected battery cells.
- Click on an individual [NODE] icon to display the battery cell table of that particular string.
- Values will appear in different colors depending on the status of the battery cell. Black is normal, red is too high, blue is too low, and gray indicates that the measure kit link has failed.



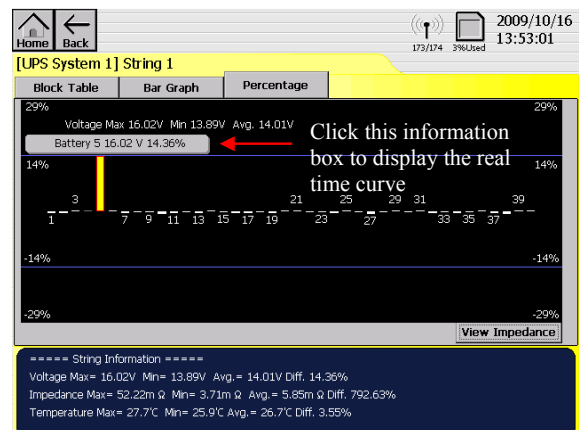
### 3-2.2.4.4 Bar Graph

- Displays a bar graph of either the voltage or the impedance of all of the connected batteries in that particular battery string.
- Click on an individual bar to display the information box of that particular battery cell. Click this information box to display the real-time chart of that particular battery block.



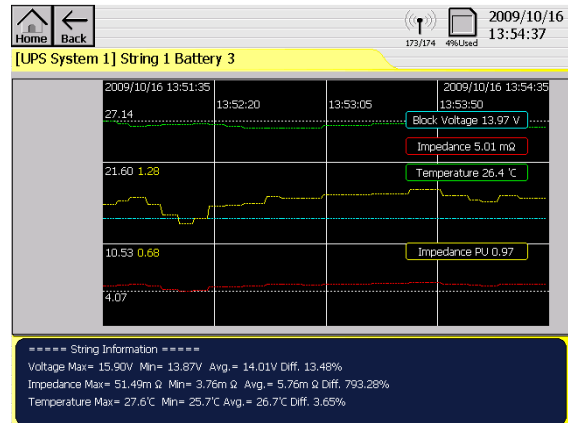
### 3-2.2.4.5 Percentage

- Displays a bar chart of the average percentage readings of either voltage or impedance of all the connected batteries in that particular battery string.
- Click on an individual bar to display the information box of that particular battery cell. Click this information box to display the real-time chart of that particular battery cell.



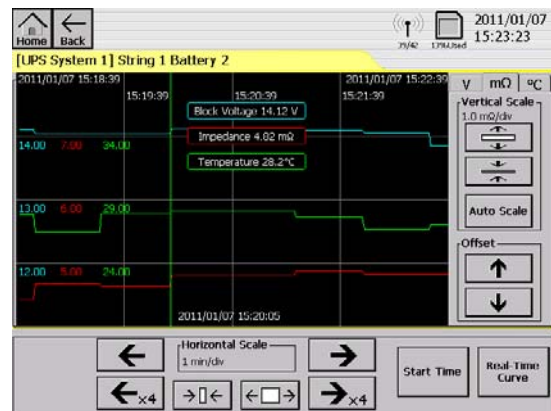
### 3-2.2.4.6 Real-time Curve

- Displays a line chart of the voltage and impedance (and temperature if a TES is installed) of a particular battery cell for the most recent 180 seconds.
- Click on any part of the curve to display the historical chart for that particular battery cell.



### 3-2.2.4.7 Historical Curve

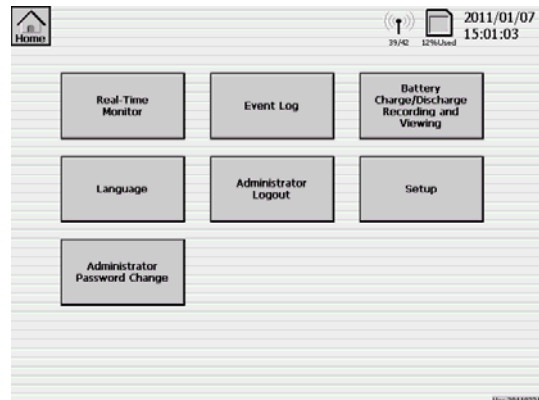
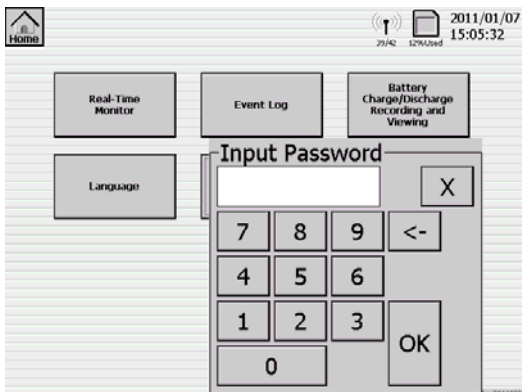
- Provides individual battery block historical measurement data.
- Click [Real-Time Curve] to return to the real-time measurement chart.
- Click [Start Time] to set the start time of the history chart.
- Drag the data line to change the starting time of the measurement.



## 3-2.3 Administrator Mode

### 3-2.3.1 Administrator Login

- Initially log in by clicking [Administrator Login] and entering the default password “1234”.
- Upon successful log in, the [Setup] and [Administrator Password Change] icons will appear on the “Menu” page as shown below.
- Click [Administrator Logout] to log out.

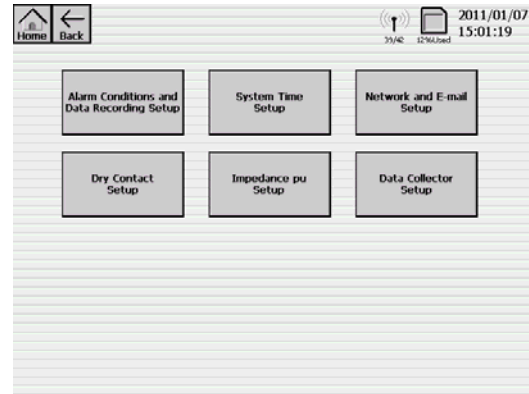


### 3-2.3.2 Administrator Password Change

- To change the password, enter the default password “1234” and you will be prompted to enter a new password. The password should be between 4 to 12 numeric digits.

### 3-2.3.3 Data Collector Setup

- The [Setup] menu provides options to configure the Battery Monitoring System.
- The [Setup] button will appear on the “Menu” page only after successful Administrator Login.
- Click on [Setup] to open the setup menu page as shown below.



### 3-2.3.4 Alarm Conditions and Data Recording Setup

#### 3-2.3.4.1 Alarm Conditions

- Enables the user to set the conditions which trigger or turn off alarms in the system.
- Alarms will appear on the System Status Overview screen and will be recorded in the Event Log.
- The settable parameters are:

- ◆ System

- System voltage
- Total current (+/- indicates direction of current) (only if a Hall CT is installed)
- Temperature (only if a TES is connected)

- ◆ Battery String

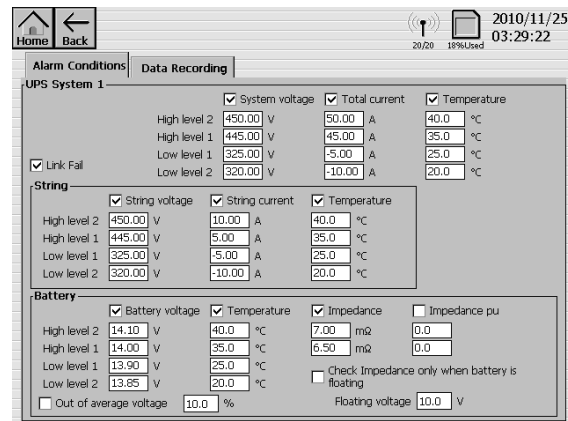
- String voltage
- String current (+/- indicates direction of current) (only if a Hall CT is installed)
- Temperature (only if a TES is connected)

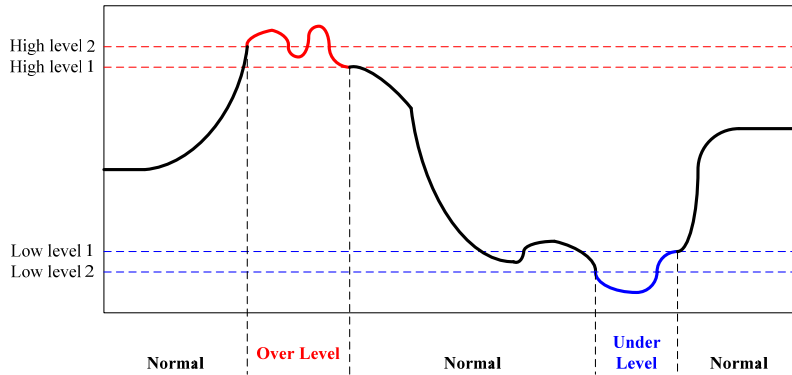
- ◆ Battery (block)

- Battery Voltage
- Impedance
- Temperature (only if a TES is connected)

- Users may select which alarms appear on the System Overview screen and in the Event Log by checking or unchecking the boxes next to the heading titles. See figure below.

- All “High” and “Low” level 2 values trigger the alarms.
- All “High” and “Low” level 1 values turn off the alarms.

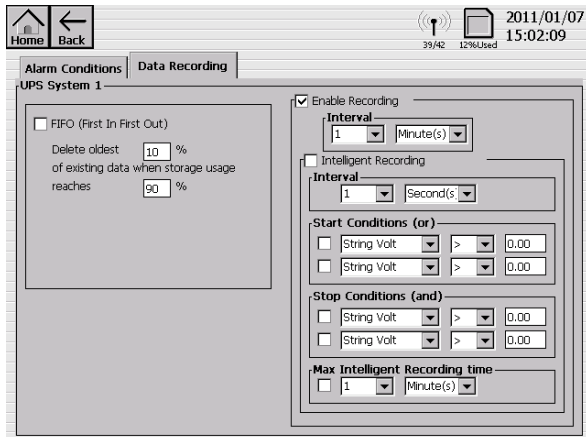




- Users may choose to receive notification of these alarms via email and/or view them through a web browser. See Section 3-2.3.5 for information on setting up these functions.
- For a complete list of errors, refer to Section 6 Alarm Messages and Troubleshooting.

### 3-2.3.4.2 Data Recording

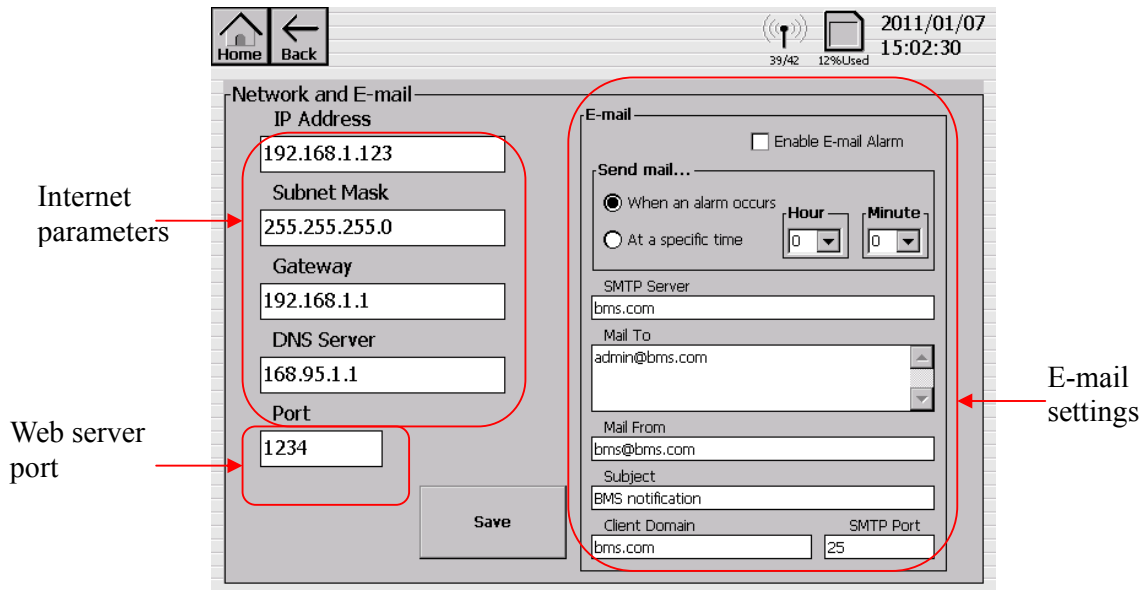
- Enables the user to select the type of recording and set the recording periods and conditions.
- FIFO: The DC-LCD will discard old data to make room for new data in first-in-first-out order if this function is selected. Otherwise, new data will be recorded until the storage space is full and, after that, recording will stop.
- Enable Recording: The DC-LCD will record all battery data continuously if this function is selected.
  - ◆ The sampling interval can be set from 1 second to 60 minutes.
- Intelligent Recording Mode:
  - ◆ The Intelligent Recording sampling interval can be set from 1 second to 60 minutes.
  - ◆ Starts recording only upon the following conditions.
    - System voltage exceeds the set value.
    - System voltage drops below the set value.
    - System current exceeds the set value.
    - System current drops below the set value.
    - String voltage exceeds the set value.
    - String voltage drops below the set value.
    - String current exceeds the set value.
    - String current drops below the set value.
  - ◆ The Maximum Intelligent Recording Time can be set from 1 minute to 60 hours.



- After performing Intelligent Recording for more than this maximum time, the DC-LCD will stop the Intelligent Recording mode automatically.
  - ◆ In order to conserve data storage capacity and collect just the necessary battery measurements, the user can use this function to set a shorter sampling interval during charge and discharge periods and a longer sampling interval during normal use (“float charge” periods).

### 3-2.3.5 Network and E-mail Setup

- This page allows the user to set up the Internet and web server parameters for the DC-LCD as well as to enable alarm alerts via E-mail.
- Please restart the DC-LCD to ensure that the new settings take effect.
- Consult your IT professional if necessary to ensure proper settings are applied and to verify that no issues with any web or email filtering will occur on your network.



### 3-2.3.6 System Time Setup

- Enables the user to set the current date and time of the DC-LCD.

**Set System Time**

Year	2009	+	-	Month	10	+	-	Day	16	+	-
Hour	14	+	-	Minute	16	+	-	Second	53	+	-

OK

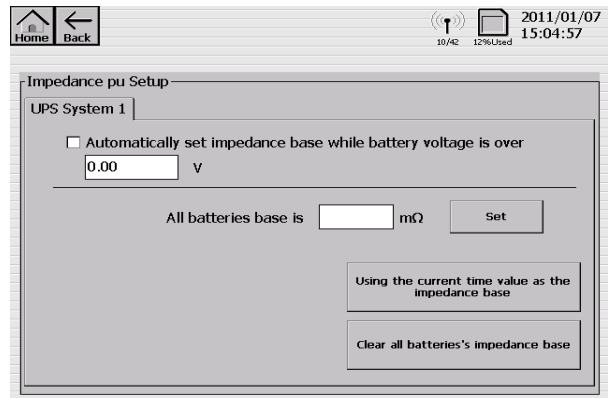
### 3-2.3.7 Impedance pu Setup

- The DC-LCD expresses battery impedance in the form of pu values, which provide a simple way to observe the change of impedance in a battery block. The definition of pu value is as follows.

$$pu = \frac{\text{Battery impedance}}{\text{Battery impedance base}}$$

- The Impedance pu Setup page enables users to set the battery block impedance base value. There are three types of setting:
- Select 「Automatically set impedance base when battery voltage is over xx V」 :
  - ◆ When the battery cell voltage first reaches the preset value, the impedance value measured by the BMK at that time shall become its base value.
  - ◆ We recommend using the floating charge voltage of a battery cell as the voltage value.

- 「All batteries' base is xx mΩ」 :
  - ◆ Use xx mΩ as the impedance base for all batteries in this system.
  - ◆ Click 「Set」 to activate the setting.
  - ◆ We recommend using the factory default impedance value as the base value. Contact the battery manufacturer to get the default impedance value.



- ◆
- 「Use the current time value as the impedance base.」 :
  - ◆ Click this icon to activate the setting.
  - ◆ We recommend using this setting when the batteries are in their normal “floating charge” state.
- Click 「Clear all batteries' impedance base.」 to clear the impedance base. The DC-LCD will no longer express impedance as a pu value, but will continue to express impedance in mΩ.

### 3-2.3.8 Dry Contact Setup

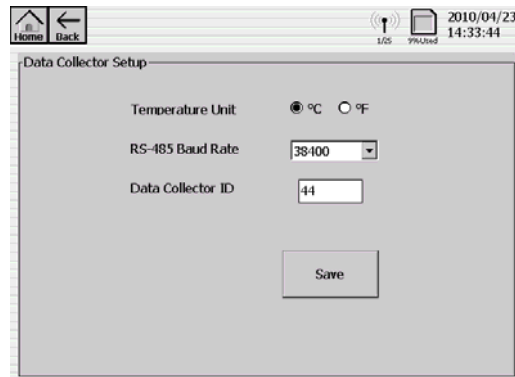
- This page enables the user to set the Input and Output Dry Contacts.
- Input Dry Contact. There are two settings:
  - ◆ None: No action regardless of whether the input dry contact switch is in the open or closed position.
  - ◆ Intelligent Recording: Intelligent Recording is enabled when the input dry contact switch is in the closed position and disabled when the switch is in the open position.

- Output Dry Contact. There are two settings:
  - ◆ Intelligent Recording: Refer to Section 3-2.3.4.2 to select Intelligent Recording.
  - ◆ Measure Value Out of Range: Refer to Section 3-2.3.4.1 to set alarm conditions.



### 3-2.3.9 Data Collector Setup

- Temperature Unit: Select whether to display temperature in degrees Celsius or degrees Fahrenheit.
- RS-485 Baud Rate: Set the communication speed for RS-485 communication. The speed range is from 2400 to 115200.
- Data Collector ID: Set unique identification numbers for each DC-LCD when using RS-485 communication for remote monitoring. The range of ID numbers is from 1 to 255.

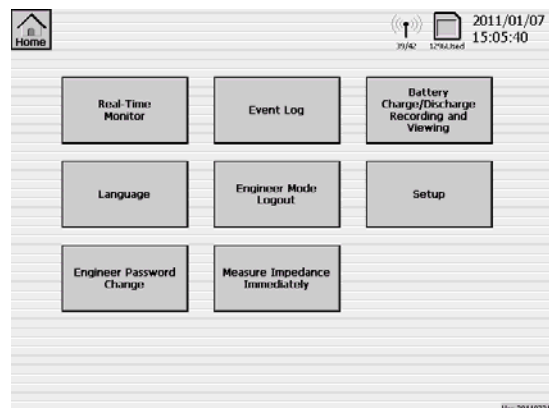


## 3-2.4 Engineer Mode

The following sections detail functions which are unique to Engineer Mode. Engineer Mode contains all functions required to set up a system and also includes all menus and functions found in Administration Mode.

### 3-2.4.1 Engineer Login

- Log in by clicking [Administrator Login] and entering the default engineer password “87654321”.
- Upon successful log in the [Setup] and [Engineer Password Change] icons will appear on the [Menu] page as shown below.
- Click [Engineer Mode Logout] to log out.

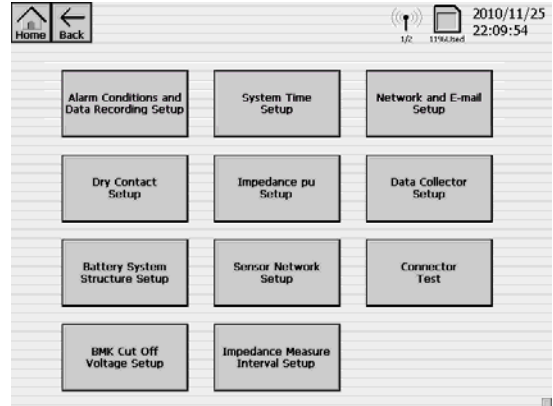


### 3-2.4.2 Engineer Password Change

- To change the password, enter the existing password and you will be prompted to enter a new password. Passwords should comprise 4 to 12 numeric digits.

### 3-2.4.3 Engineer Mode Menu

- The [Setup] menu provides configuration options for the Battery Monitoring System.
- The [Setup] icon will appear on the [Menu] page only after successful Engineer Login.
- Click [Setup] to open the setup menu page as shown below.

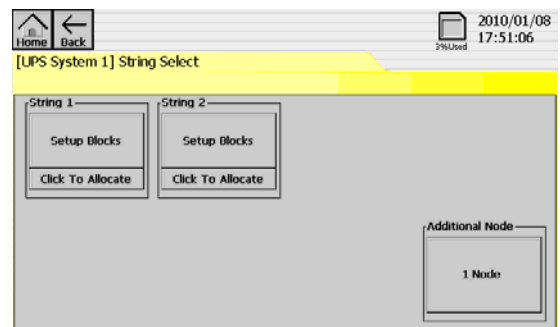


### 3-2.4.4 Battery System Structure Setup

- Enables the user to add a new battery system or remove an existing system. Click on [Battery System Structure Setup] to open the “System Setup” dialogue box as shown below.
- Define the System Name.
- The System ID is normally generated automatically without input. However, if two or more DC-LCDs are used within 50 meters of each other, in order to avoid communication interference a unique System ID needs to be manually set for each system.
- Configure up to 8 battery systems per DC-LCD (7 if additional nodes are required).
- Configure up to 8 strings per battery system.
- Configure up to 250 battery cells per string.
- Configure up to 250 additional nodes per battery system.
- Configure up to 256 measure kits per DC-LCD.

### 3-2.4.5 Sensor Network Setup

- Enables the user to configure each installed SMK, Hall CT, TES, and BMK, including assigning and changing ID numbers.
- For details regarding adding a new system refer to Section 4 of this manual.

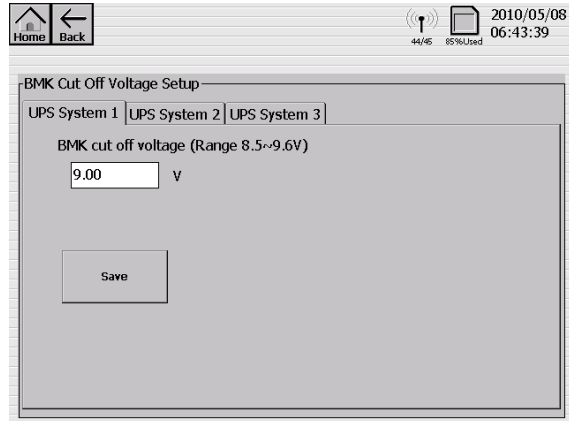


### 3-2.4.6 Connector Test

- Enables the user to test RF, Dry Contact, and RS485 connections (if any exist).
- Also shows the Ethernet IP address if one exists.

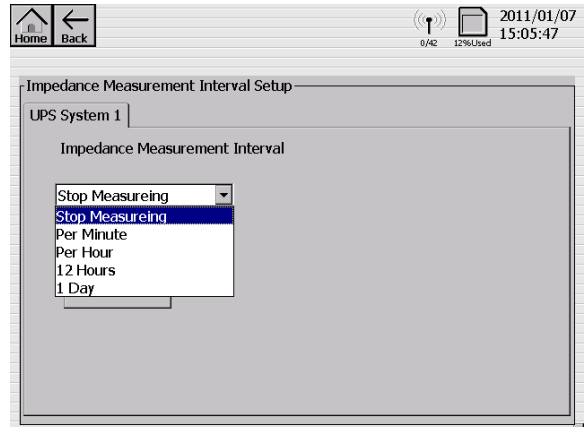
### 3-2.4.7 BMK Cutoff Voltage Setup

- Enables the user to set up the cutoff voltage of a BMK. The BMK will stop working when the battery voltage drops below this value.



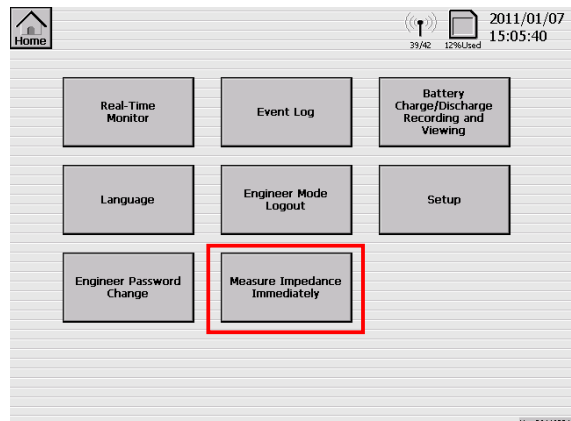
### 3-2.4.8 Impedance Measurement Interval Setup

- Enables the user to define the interval between impedance measurements.



### 3-2.4.9 Measure Impedance Immediately

- Enables the user to measure the battery impedance immediately.



## 4. System Configuration Example

Figure 35 illustrates a sample *FirstLine BMS* system. A backup power system is connected to a battery bank consisting of two strings of batteries, each of which consists of eight battery blocks (12 V, 100 AH). The maximum string current is 40 A.

The sample *FirstLine BMS* system collects the following information.

- Each battery cell's voltage and impedance
- Each battery string's voltage and current
- The backup power system DC bus's voltage and total current
- Four ambient temperature measurements

One SMK and a Hall CT are connected across the UPS DC bus. Another SMK and Hall CT are connected across each battery string.

The required *FirstLine BMS* kits and accessories for this example are shown in the following table.

**Table 11. FirstLine BMS Sample Kits and Accessories**

Model Number	Description	Qty	Notes
DC-LCD	Data Collector	1	
DPS-12A	12 V DC Power Supply	1	
DPS-48A	48 V DC Power Supply	1	
BMK-12A	12 V Battery Measure Kit	16	for 2 strings of 8 batteries
SMK-0750	String Measure Kit	4	
HCT-005	50 A Hall Current Transformer Kit	2	
HCT-010	100 A Hall Current Transformer Kit	1	
TES	Temperature Sensor	4	
BTA-08	8 $\phi$ Battery Terminal Auxiliary Connector Board	32	Each battery needs two BTA boards.

Refer to the sample diagram shown when installing kits and accessories for your own system. The installation and setup procedures are described in the following pages.

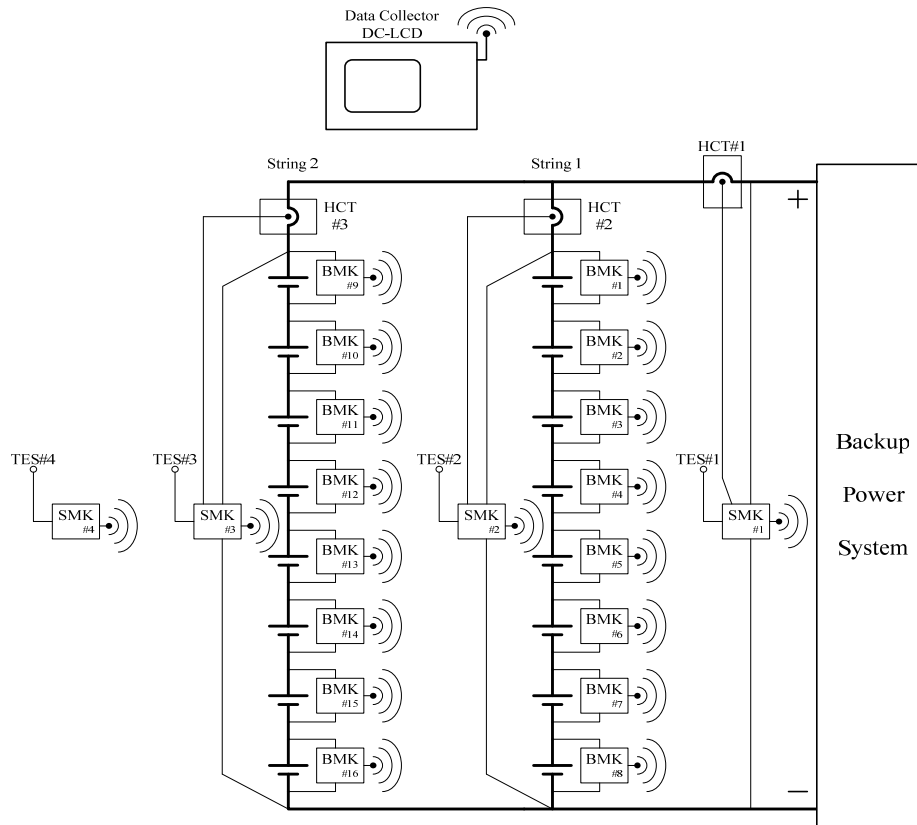


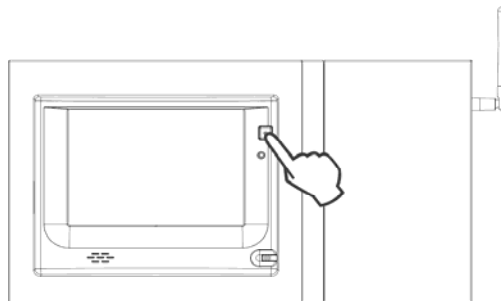
Figure 35. Sample System Diagram

#### 4-1 Kit Installation and Connection

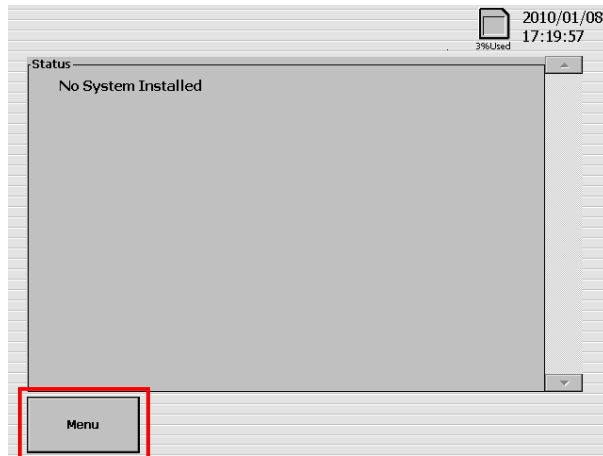
Please refer to Section 2 for installation of all kits and accessories. Ensure that the BMK, SMK, and DC-LCD are situated within a distance of 98 ft. (in an open environment).

#### 4-2 Turn on the Data Collector

- Press the ON/OFF button to start the DC-LCD.



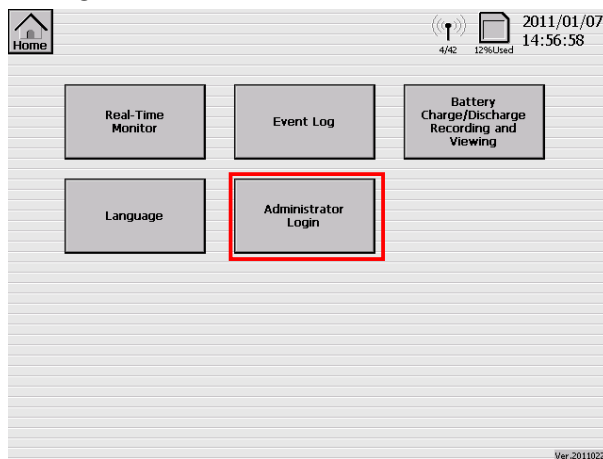
- The following will appear on the LCD screen:



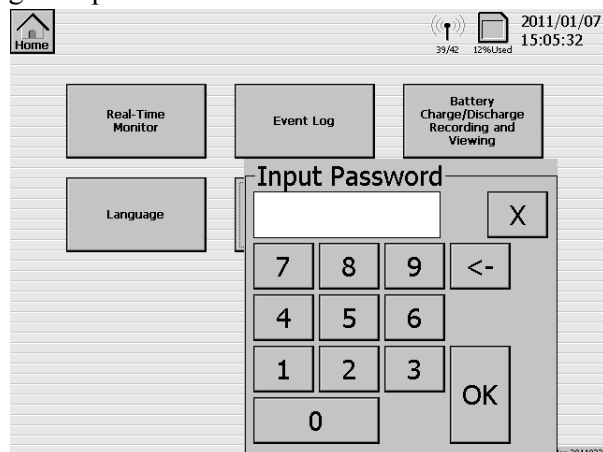
- Click 「Menu」

### 4-3 Engineer Login

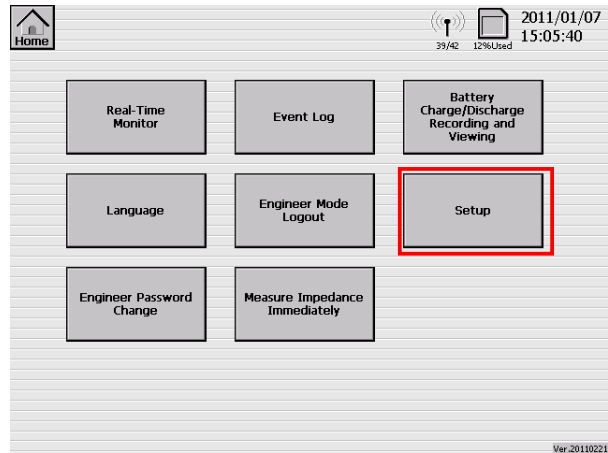
- Click 「Administrator Login」



- Enter the default engineer password “87654321”.

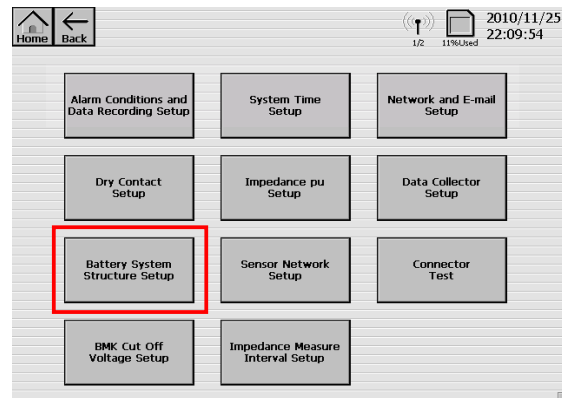


- Click 「 Setup 」 to enter Engineer Mode.



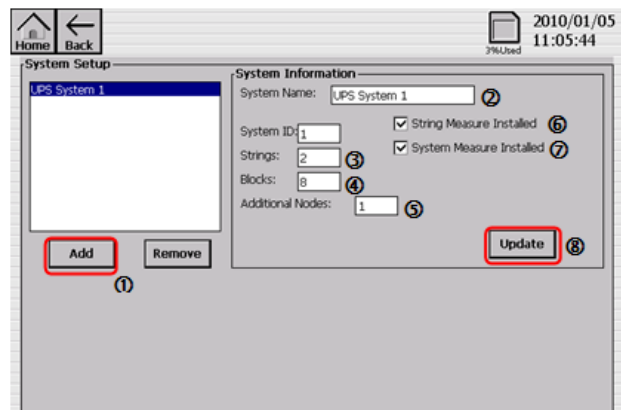
#### 4-4 Battery System Structure Setup

- Click 「 Battery System Structure Setup 」 to configure the battery bank.



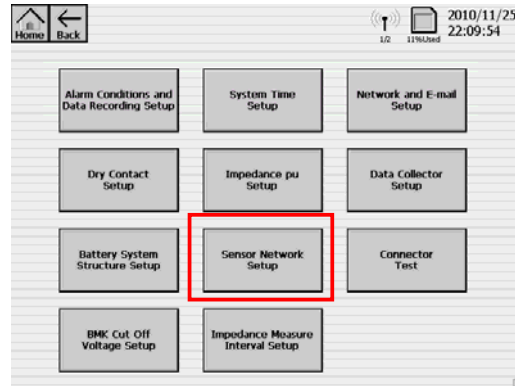
#### System Setup

- Click 「 Add 」 to add a new battery system (the password will be requested again).
- Enter a desired System Name (e.g. “UPS System 1”).
- Enter “2” for [Strings] (2 battery strings in this system).
- Enter “8” for [Blocks] (8 battery cells in each string).
- Enter “1” for [Additional Nodes]. (This system needs an additional temperature sensor.)
- Select 「 String Measure Installed 」 to indicate whether or not an SMK is installed on each battery string.
- Select 「 System Measure Installed 」 to indicate whether or not an SMK is installed to measure complete system voltage
- Click 「 Update 」 to finish the setup.
- Click 「 Back 」 to return to the Setup Menu.

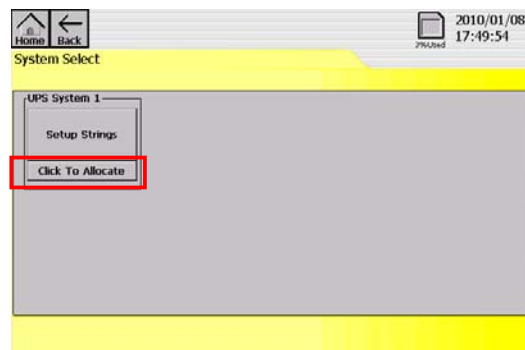


## 4-5 String Measurement Kit SMK#1 Setup

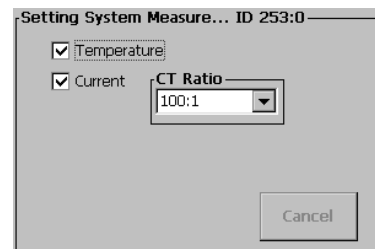
1. Click 「Sensor Network Setup」.



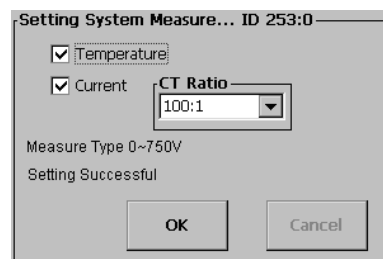
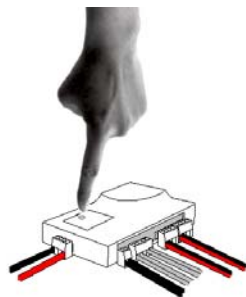
2. Click 「Click To Allocate」 to set up SMK#1.



3. Select 「Temperature」 if a TES is installed.  
Select 「Current」 if an HCT is installed, and then choose the CT Ratio. The user can choose 50:1, 100:1, 300:1, 600:1 or 2000:1. This example uses the HCT-010 100A, so we choose 100:1.



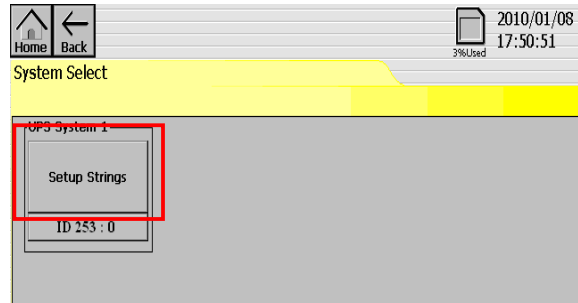
4. Click the “Setup” button on SMK#1. The words “Setting Successful” will appear in the dialogue box upon successful setup.



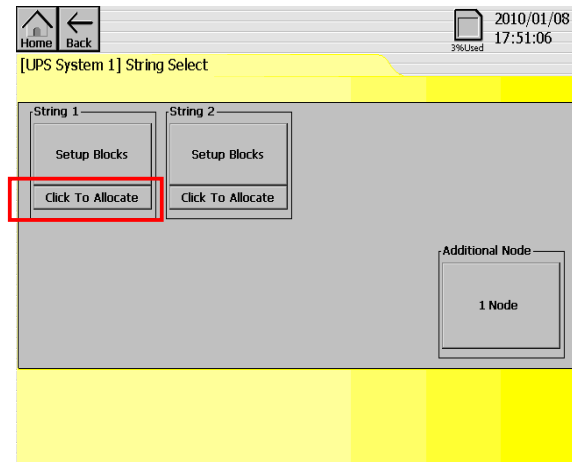
5. SMK#1 will be configured to a unique ID for communication with the DC-LCD.

## 4-6 String Measurement Kit SMK#2 and SMK #3 Setup

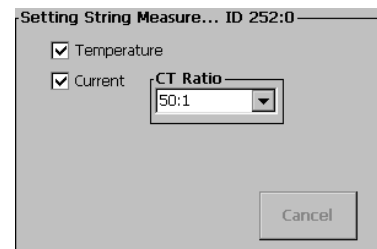
1. Click 「 Setup Strings 」 on UPS System 1.



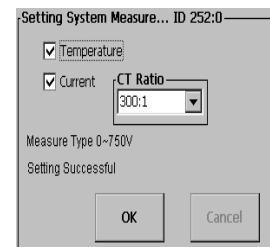
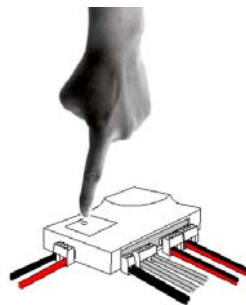
2. Click 「 Click To Allocate 」 on the desired string.



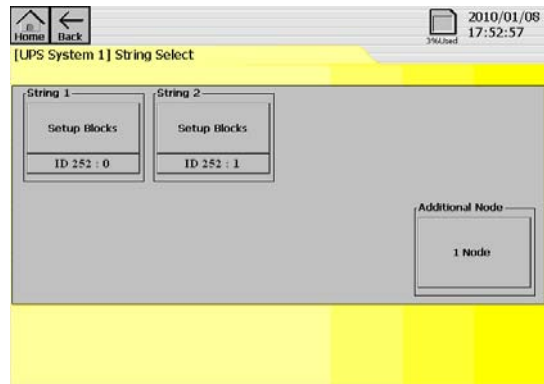
3. Select 「 Temperature 」 **if** a TES is installed.  
Select 「 Current 」 **if** an HCT is installed, and then choose the CT Ratio.  
The user can choose 50:1, 100:1, 300:1, 600:1, or 2000:1.  
This example uses the HCT-005 50A, so we choose 50:1.



4. Click the “Setup” button on SMK#2.  
The words “Setting Successful” will appear in the dialogue box upon successful setup.

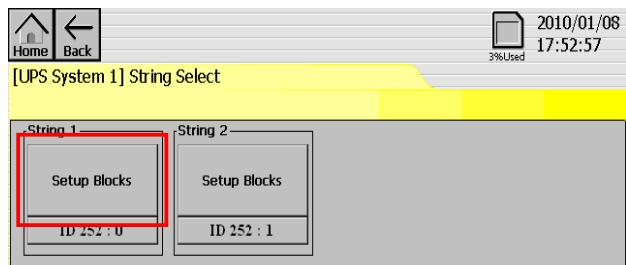


- Repeat from step 2 to set up SMK#3. SMK#2 and SMK#3 will be configured to a unique ID for communication with the DC-LCD as shown below.

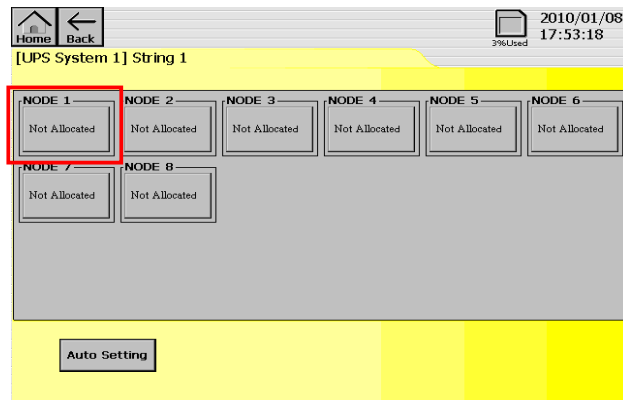


#### 4-7 Battery Measurement Kit BMK#1~ BMK#16 Setup

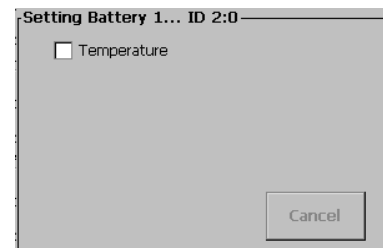
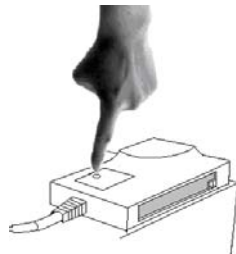
- Click 「 Setup Blocks 」 on the desired string.



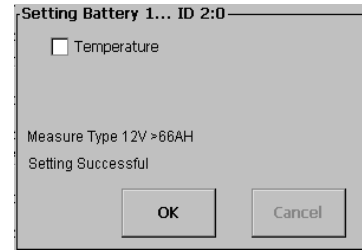
- Click 「 Not Allocated 」 on the desired battery block.



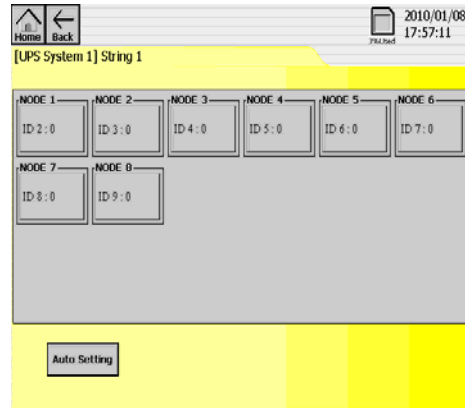
- Select 「 Temperature 」 if a TES is installed.




- Click the “Setup” button on the BMK to be configured. The words “Setting Successful” will appear in the dialogue box upon successful setup.

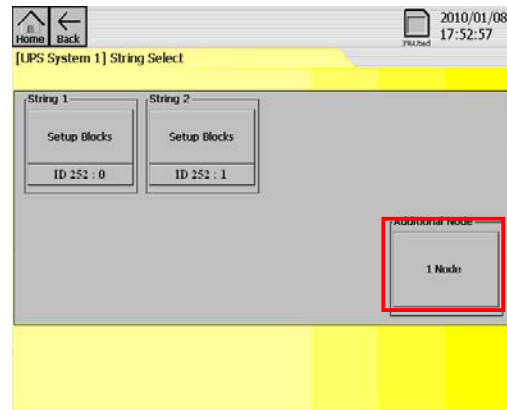


- Repeat from step 2 to set up the other BMKs in this string. Repeat from step 1 to set up the other string. Each BMK will be configured to a unique ID for communication with the DC-LCD as shown below.

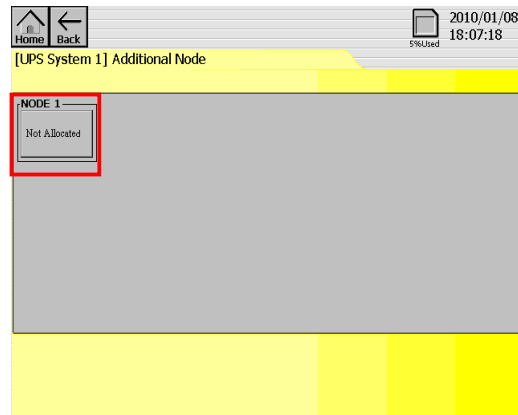


#### 4-8 Additional Node SMK#4 Setup

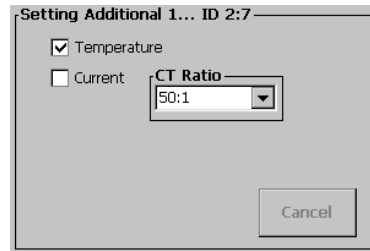
- Click  to return the String Select screen of UPS System 1. Click 「Additional Node」.



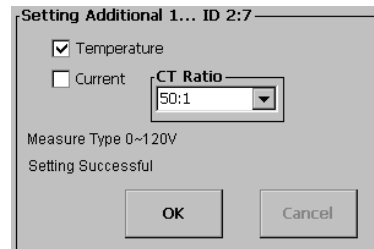
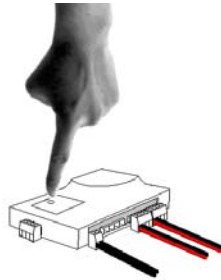
- Click 「Not Allocated」 on NODE 1.



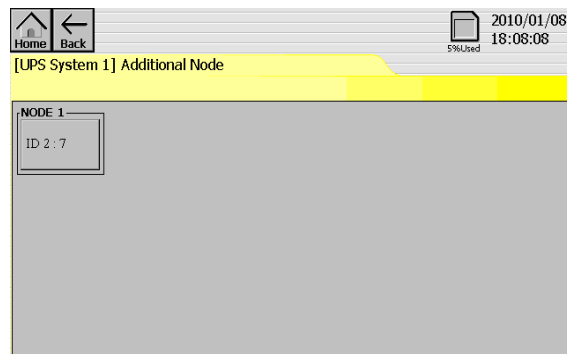
3. Select 「Temperature」 .



4. Click the “Setup” button on SMK#4. The words “Setting Successful” will appear in the dialogue box upon successful setup.



5. SMK#4 will be configured to a unique ID for communication with the DC-LCD as shown below.



**Important Note:**

If any of the following messages appears in the dialogue box during SMK or BMK setup: "*Scan Antenna Timeout*", "*Getting Calibrate Value Fail*", "*Setting Fail*", or "*Setting Fail (Timeout)*", please press and hold the Setup button on the SMK or BMK to reset the device and try again. If the problem persists please contact your authorized dealer.

## 5. FirstLine BMS Web Monitoring Guide

The *FirstLine BMS* Data Collector comes with a built-in web server. Through various network devices (e.g. a computer) connected to the same Ethernet network as the DC-LCD via its RJ45 port, this function allows the user to monitor real-time information and download reports from the DC-LCD using a web browser. Note that this works only on the same local area network as the DC-LCD. To access the DC-LCD from a remote location, consult your network administrator.

### 5-1 Access the DC-LCD using a web browser

The procedure to access the Data Collector web server using a computer web browser (e.g. Internet Explorer) is as follows:

1. On the Data Collector [Setup] page click [Network and E-mail Setup].
2. On the [Network and E-mail Setup] page as shown below, verify the IP Address and Port. The URL to enter in the computer web browser shall be as such: `http://192.168.1.123:1234`.
3. You can now access the DC-LCD from the web browser after entering the URL.



### 5-2 Web Monitoring Page Overview

Once the DC-LCD has been successfully accessed using the web browser, the web monitoring page of the DC-LCD appears as shown below. The page is divided into two areas: "Browsing Toolbar" and "Information and Functions" as shown below:

String	Voltage(V)	Current(A)	Temperature(°C)	Export Report
String 1	400.14	26.71	26.4	<a href="#">Export Report</a>
String 2	400.21	26.27	26.8	<a href="#">Export Report</a>

Additional Blocks

Block	1	2	3	4	5	6	7	8	9	10
0	400.20 V 0.00 A 26.9 °C	400.21 V 0.00 A 26.3 °C	400.15 V 0.00 A 26.0 °C	400.17 V 0.00 A 26.2 °C	400.16 V 0.00 A 26.7 °C					

Figure 36. Web Monitoring Page Overview

Click [Home] to return to the main menu. Click [Back] to return to the previous page.

## 5-3 Web Monitoring Functions

### 5-3.1 Information and Status

- This page displays the list of systems connected to the DC-LCD, a summary of the recorded events, and the real-time display of system parameters. In the “System Name” column, click on a system to see its connected battery string information.
- Click “Download Event log(.csv)” to download the Event Log list.

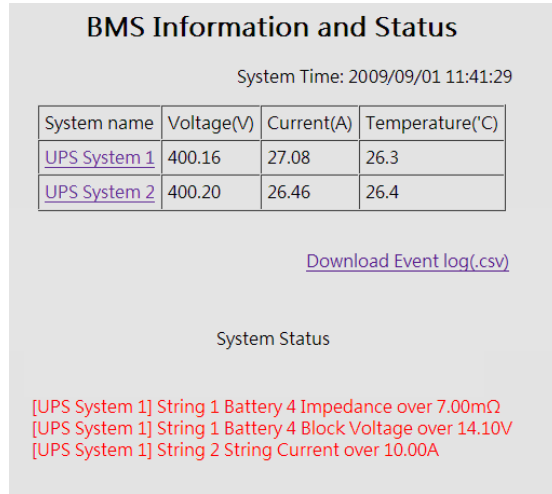


Figure 37. Connected Systems Information and Status

### 5-3.2 System Information

- This page displays the list of battery strings.
- The display shows the real-time readings of the battery string parameters.
- Select a string to see its information for each connected battery.
- Click [Export Report] to view the report on the particular string.
- See [Export Report] on the following page for more details.

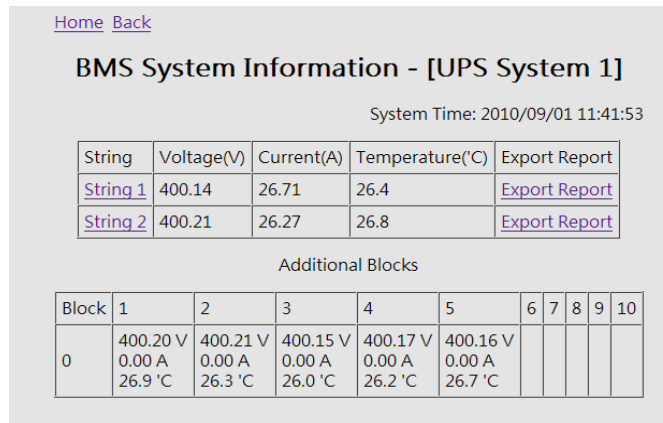


Figure 38. Individual System Information

### 5-3.3 String Information

- This page displays the list of battery cells in the string and displays real-time readings of each battery block's voltage, impedance, and temperature.

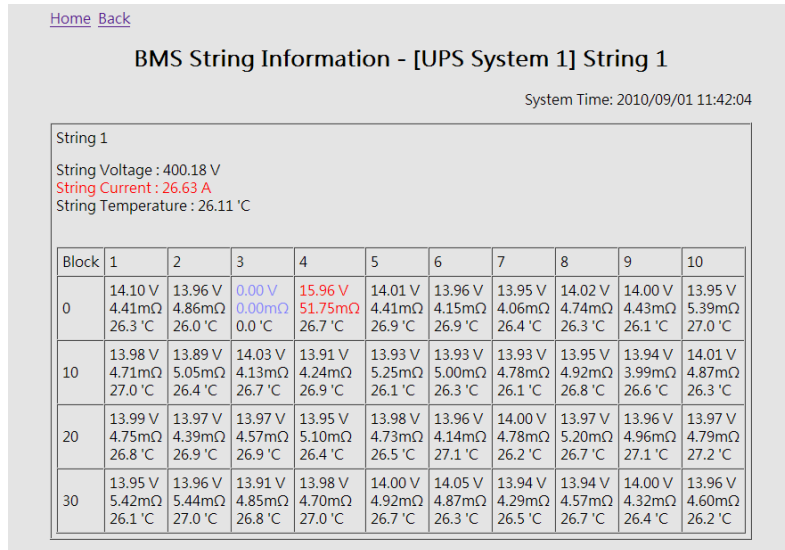


Figure 39. String Information

### 5-3.4 Export Report

- When you select [Export Report] on the “System Information” page the following page will appear.
- Select the type of report to export by clicking [Yearly Report], [Monthly Report], or [Daily Report].

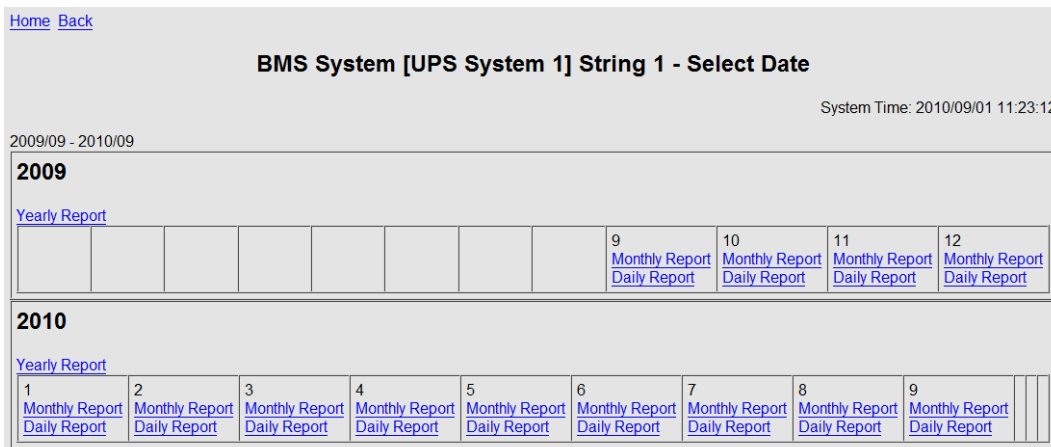


Figure 40. String Export Report Page

### 5-3.5 Yearly Report

- This page displays the annual data for the selected string of the selected system.
- The report shows the average readings (cell voltage, impedance, and temperature) of individual battery cells over a twelve-month period of the selected year. Red text indicates that the reading exceeds the preset value, and blue text indicates that the reading is below the preset value.
- Click “Show Chart” for any cell to display that battery cell’s chart. Move the mouse pointer to any point on the data line to display the recorded value at that point in time.
- At the top right-hand corner of the screen click “Export csv file” to export the data into CSV (Comma Separated Values) format for data processing.

[Home](#) [Back](#)

#### BMS System [UPS System 1] String 1 - 2009 Yearly Report

System Time: 2009/11/19 16:42:22

Block		Month 1	2	3	4	5	6	7	8	9	10	11	12
1	<a href="#">Show Chart</a>	13.34V 3.72mΩ	13.44V 3.62mΩ	13.42V 3.78mΩ	13.48V 3.99mΩ	13.46V 3.17mΩ	13.30V 3.92mΩ	13.39V 4.52mΩ	13.41V 3.56mΩ	13.44V 3.99mΩ	13.38V 4.74mΩ	13.42V 4.01mΩ	13.46V 4.12mΩ
2	<a href="#">Show Chart</a>	13.34V 3.72mΩ	13.44V 3.62mΩ	13.42V 3.78mΩ	13.48V 3.99mΩ	13.46V 3.17mΩ	13.30V 3.92mΩ	13.39V 4.52mΩ	13.41V 3.56mΩ	13.44V 3.99mΩ	13.38V 4.74mΩ	13.42V 4.01mΩ	13.46V 4.12mΩ
3	<a href="#">Show Chart</a>	13.34V 3.72mΩ	13.44V 3.62mΩ	13.42V 3.78mΩ	13.48V 3.99mΩ	13.46V 3.17mΩ	13.30V 3.92mΩ	13.39V 4.52mΩ	13.41V 3.56mΩ	13.44V 3.99mΩ	13.38V 4.74mΩ	13.42V 4.01mΩ	13.46V 4.12mΩ
4	<a href="#">Show Chart</a>	13.34V 3.72mΩ	13.44V 3.62mΩ	13.42V 3.78mΩ	13.48V 3.99mΩ	13.46V 3.17mΩ	13.30V 3.92mΩ	13.39V 4.52mΩ	13.41V 3.56mΩ	13.44V 3.99mΩ	13.38V 4.74mΩ	13.42V 4.01mΩ	13.46V 4.12mΩ
5	<a href="#">Show Chart</a>	13.34V 3.72mΩ	13.44V 3.62mΩ	13.42V 3.78mΩ	13.48V 3.99mΩ	13.46V 3.17mΩ	13.30V 3.92mΩ	13.39V 4.52mΩ	13.41V 3.56mΩ	13.44V 3.99mΩ	13.38V 4.74mΩ	13.42V 4.01mΩ	13.46V 4.12mΩ
6	<a href="#">Show Chart</a>	13.34V 3.72mΩ	13.44V 3.62mΩ	13.42V 3.78mΩ	13.48V 3.99mΩ	13.46V 3.17mΩ	13.30V 3.92mΩ	13.39V 4.52mΩ	13.41V 3.56mΩ	13.44V 3.99mΩ	13.38V 4.74mΩ	13.42V 4.01mΩ	13.46V 4.12mΩ
7	<a href="#">Show Chart</a>	13.34V 3.72mΩ	13.44V 3.62mΩ	13.42V 3.78mΩ	13.48V 3.99mΩ	13.46V 3.17mΩ	13.30V 3.92mΩ	13.39V 4.52mΩ	13.41V 3.56mΩ	13.44V 3.99mΩ	13.38V 4.74mΩ	13.42V 4.01mΩ	13.46V 4.12mΩ
8	<a href="#">Show Chart</a>	13.34V 3.72mΩ	13.44V 3.62mΩ	13.42V 3.78mΩ	13.48V 3.99mΩ	13.46V 3.17mΩ	13.30V 3.92mΩ	13.39V 4.52mΩ	13.41V 3.56mΩ	13.44V 3.99mΩ	13.38V 4.74mΩ	13.42V 4.01mΩ	13.46V 4.12mΩ
9	<a href="#">Show Chart</a>	13.34V 3.72mΩ	13.44V 3.62mΩ	13.42V 3.78mΩ	13.48V 3.99mΩ	13.46V 3.17mΩ	13.30V 3.92mΩ	13.39V 4.52mΩ	13.41V 3.56mΩ	13.44V 3.99mΩ	13.38V 4.74mΩ	13.42V 4.01mΩ	13.46V 4.12mΩ
10	<a href="#">Show Chart</a>	13.34V 3.72mΩ	13.44V 3.62mΩ	13.42V 3.78mΩ	13.48V 3.99mΩ	13.46V 3.17mΩ	13.30V 3.92mΩ	13.39V 4.52mΩ	13.41V 3.56mΩ	13.44V 3.99mΩ	13.38V 4.74mΩ	13.42V 4.01mΩ	13.46V 4.12mΩ
11	<a href="#">Show Chart</a>	13.34V 3.72mΩ	13.44V 3.62mΩ	13.42V 3.78mΩ	13.48V 3.99mΩ	13.46V 3.17mΩ	13.30V 3.92mΩ	13.39V 4.52mΩ	13.41V 3.56mΩ	13.44V 3.99mΩ	13.38V 4.74mΩ	13.42V 4.01mΩ	13.46V 4.12mΩ
12	<a href="#">Show Chart</a>	13.34V 3.72mΩ	13.44V 3.62mΩ	13.42V 3.78mΩ	13.48V 3.99mΩ	13.46V 3.17mΩ	13.30V 3.92mΩ	13.39V 4.52mΩ	13.41V 3.56mΩ	13.44V 3.99mΩ	13.38V 4.74mΩ	13.42V 4.01mΩ	13.46V 4.12mΩ

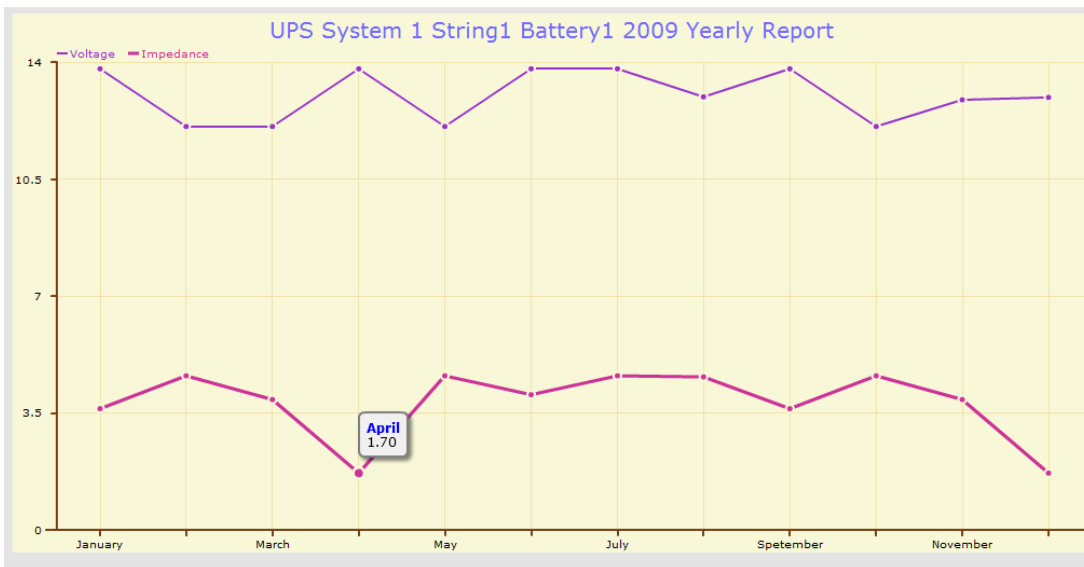


Figure 41. Yearly Report Graphical Display

## 5-3.6 Monthly Report

- This page displays the monthly data for the selected system.
- The report shows the average readings (cell voltage, impedance, and temperature) of individual battery cells over a thirty-day period of the selected month. Red text indicates that the reading exceeds the preset value, and blue text indicates that the reading is below the preset value.
- Click “Show Chart” for any cell to display that battery cells’s chart. Move the mouse pointer to any point on the data line to display the recorded value at that point in time.
- At the top right-hand corner of the screen click “Export csv file” to export the data into CSV (Comma Separated Values) format for data processing.

[Home Back](#) [Export csv file](#)

**BMS System [UPS System 1] String 1 - 2009/11 Monthly Report**

System Time: 2009/11/19 16:42:42

Block	Dbl 1	2	3	4	5	6	7	8	9	10	11	12	13	14	15	16	17	18	19	20	21	22	23	24	25	26	27	28	29	30	31
1	Show Chart	13.42V	13.42V	13.42V	13.42V	13.42V	13.42V	13.42V	13.42V	13.42V	13.42V	13.42V	13.42V	13.42V	13.42V	13.42V	13.42V	13.42V	13.42V	13.42V	13.42V	13.42V	13.42V	13.42V	13.42V	13.42V	13.42V	13.42V	13.42V	13.42V	
2	Show Chart	13.42V	13.42V	13.42V	13.42V	13.42V	13.42V	13.42V	13.42V	13.42V	13.42V	13.42V	13.42V	13.42V	13.42V	13.42V	13.42V	13.42V	13.42V	13.42V	13.42V	13.42V	13.42V	13.42V	13.42V	13.42V	13.42V	13.42V	13.42V	13.42V	13.42V
3	Show Chart	13.42V	13.42V	13.42V	13.42V	13.42V	13.42V	13.42V	13.42V	13.42V	13.42V	13.42V	13.42V	13.42V	13.42V	13.42V	13.42V	13.42V	13.42V	13.42V	13.42V	13.42V	13.42V	13.42V	13.42V	13.42V	13.42V	13.42V	13.42V	13.42V	13.42V
4	Show Chart	13.42V	13.42V	13.42V	13.42V	13.42V	13.42V	13.42V	13.42V	13.42V	13.42V	13.42V	13.42V	13.42V	13.42V	13.42V	13.42V	13.42V	13.42V	13.42V	13.42V	13.42V	13.42V	13.42V	13.42V	13.42V	13.42V	13.42V	13.42V	13.42V	13.42V
5	Show Chart	13.42V	13.42V	13.42V	13.42V	13.42V	13.42V	13.42V	13.42V	13.42V	13.42V	13.42V	13.42V	13.42V	13.42V	13.42V	13.42V	13.42V	13.42V	13.42V	13.42V	13.42V	13.42V	13.42V	13.42V	13.42V	13.42V	13.42V	13.42V	13.42V	13.42V
6	Show Chart	13.42V	13.42V	13.42V	13.42V	13.42V	13.42V	13.42V	13.42V	13.42V	13.42V	13.42V	13.42V	13.42V	13.42V	13.42V	13.42V	13.42V	13.42V	13.42V	13.42V	13.42V	13.42V	13.42V	13.42V	13.42V	13.42V	13.42V	13.42V	13.42V	13.42V
7	Show Chart	13.42V	13.42V	13.42V	13.42V	13.42V	13.42V	13.42V	13.42V	13.42V	13.42V	13.42V	13.42V	13.42V	13.42V	13.42V	13.42V	13.42V	13.42V	13.42V	13.42V	13.42V	13.42V	13.42V	13.42V	13.42V	13.42V	13.42V	13.42V	13.42V	13.42V
8	Show Chart	13.42V	13.42V	13.42V	13.42V	13.42V	13.42V	13.42V	13.42V	13.42V	13.42V	13.42V	13.42V	13.42V	13.42V	13.42V	13.42V	13.42V	13.42V	13.42V	13.42V	13.42V	13.42V	13.42V	13.42V	13.42V	13.42V	13.42V	13.42V	13.42V	13.42V
9	Show Chart	13.42V	13.42V	13.42V	13.42V	13.42V	13.42V	13.42V	13.42V	13.42V	13.42V	13.42V	13.42V	13.42V	13.42V	13.42V	13.42V	13.42V	13.42V	13.42V	13.42V	13.42V	13.42V	13.42V	13.42V	13.42V	13.42V	13.42V	13.42V	13.42V	13.42V
10	Show Chart	13.42V	13.42V	13.42V	13.42V	13.42V	13.42V	13.42V	13.42V	13.42V	13.42V	13.42V	13.42V	13.42V	13.42V	13.42V	13.42V	13.42V	13.42V	13.42V	13.42V	13.42V	13.42V	13.42V	13.42V	13.42V	13.42V	13.42V	13.42V	13.42V	13.42V
11	Show Chart	13.42V	13.42V	13.42V	13.42V	13.42V	13.42V	13.42V	13.42V	13.42V	13.42V	13.42V	13.42V	13.42V	13.42V	13.42V	13.42V	13.42V	13.42V	13.42V	13.42V	13.42V	13.42V	13.42V	13.42V	13.42V	13.42V	13.42V	13.42V	13.42V	13.42V
12	Show Chart	13.42V	13.42V	13.42V	13.42V	13.42V	13.42V	13.42V	13.42V	13.42V	13.42V	13.42V	13.42V	13.42V	13.42V	13.42V	13.42V	13.42V	13.42V	13.42V	13.42V	13.42V	13.42V	13.42V	13.42V	13.42V	13.42V	13.42V	13.42V	13.42V	13.42V
13	Show Chart	13.42V	13.42V	13.42V	13.42V	13.42V	13.42V	13.42V	13.42V	13.42V	13.42V	13.42V	13.42V	13.42V	13.42V	13.42V	13.42V	13.42V	13.42V	13.42V	13.42V	13.42V	13.42V	13.42V	13.42V	13.42V	13.42V	13.42V	13.42V	13.42V	13.42V
14	Show Chart	13.42V	13.42V	13.42V	13.42V	13.42V	13.42V	13.42V	13.42V	13.42V	13.42V	13.42V	13.42V	13.42V	13.42V	13.42V	13.42V	13.42V	13.42V	13.42V	13.42V	13.42V	13.42V	13.42V	13.42V	13.42V	13.42V	13.42V	13.42V	13.42V	13.42V
15	Show Chart	13.42V	13.42V	13.42V	13.42V	13.42V	13.42V	13.42V	13.42V	13.42V	13.42V	13.42V	13.42V	13.42V	13.42V	13.42V	13.42V	13.42V	13.42V	13.42V	13.42V	13.42V	13.42V	13.42V	13.42V	13.42V	13.42V	13.42V	13.42V	13.42V	13.42V
16	Show Chart	13.42V	13.42V	13.42V	13.42V	13.42V	13.42V	13.42V	13.42V	13.42V	13.42V	13.42V	13.42V	13.42V	13.42V	13.42V	13.42V	13.42V	13.42V	13.42V	13.42V	13.42V	13.42V	13.42V	13.42V	13.42V	13.42V	13.42V	13.42V	13.42V	13.42V
17	Show Chart	13.42V	13.42V	13.42V	13.42V	13.42V	13.42V	13.42V	13.42V	13.42V	13.42V	13.42V	13.42V	13.42V	13.42V	13.42V	13.42V	13.42V	13.42V	13.42V	13.42V	13.42V	13.42V	13.42V	13.42V	13.42V	13.42V	13.42V	13.42V	13.42V	13.42V
18	Show Chart	13.42V	13.42V	13.42V	13.42V	13.42V	13.42V	13.42V	13.42V	13.42V	13.42V	13.42V	13.42V	13.42V	13.42V	13.42V	13.42V	13.42V	13.42V	13.42V	13.42V	13.42V	13.42V	13.42V	13.42V	13.42V	13.42V	13.42V	13.42V	13.42V	13.42V
19	Show Chart	13.42V	13.42V	13.42V	13.42V	13.42V	13.42V	13.42V	13.42V	13.42V	13.42V	13.42V	13.42V	13.42V	13.42V	13.42V	13.42V	13.42V	13.42V	13.42V	13.42V	13.42V	13.42V	13.42V	13.42V	13.42V	13.42V	13.42V	13.42V	13.42V	13.42V
20	Show Chart	13.42V	13.42V	13.42V	13.42V	13.42V	13.42V	13.42V	13.42V	13.42V	13.42V	13.42V	13.42V	13.42V	13.42V	13.42V	13.42V	13.42V	13.42V	13.42V	13.42V	13.42V	13.42V	13.42V	13.42V	13.42V	13.42V	13.42V	13.42V	13.42V	13.42V
21	Show Chart	13.42V	13.42V	13.42V	13.42V	13.42V	13.42V	13.42V	13.42V	13.42V	13.42V	13.42V	13.42V	13.42V	13.42V	13.42V	13.42V	13.42V	13.42V	13.42V	13.42V	13.42V	13.42V	13.42V	13.42V	13.42V	13.42V	13.42V	13.42V	13.42V	13.42V
22	Show Chart	13.42V	13.42V	13.42V	13.42V	13.42V	13.42V	13.42V	13.42V	13.42V	13.42V	13.42V	13.42V	13.42V	13.42V	13.42V	13.42V	13.42V	13.42V	13.42V	13.42V	13.42V	13.42V	13.42V	13.42V	13.42V	13.42V	13.42V	13.42V	13.42V	13.42V
23	Show Chart	13.42V	13.42V	13.42V	13.42V	13.42V	13.42V	13.42V	13.42V	13.42V	13.42V	13.42V	13.42V	13.42V	13.42V	13.42V	13.42V	13.42V	13.42V	13.42V	13.42V	13.42V	13.42V	13.42V	13.42V	13.42V	13.42V	13.42V	13.42V	13.42V	13.42V
24	Show Chart	13.42V	13.42V	13.42V	13.42V	13.42V	13.42V	13.42V	13.42V	13.42V	13.42V	13.42V	13.42V	13.42V	13.42V	13.42V	13.42V	13.42V	13.42V	13.42V	13.42V	13.42V	13.42V	13.42V	13.42V	13.42V	13.42V	13.42V	13.42V	13.42V	13.42V

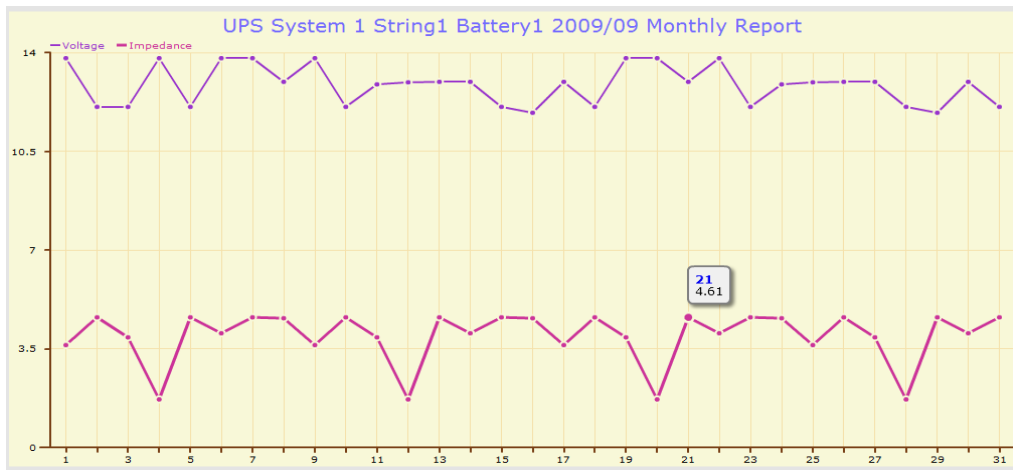


Figure 42. Monthly Graphical Display

### 5-3.7 Daily Report

- This page displays the daily data for the selected system.
- The report shows the hourly readings (cell voltage, impedance, and temperature) of individual battery cells on that particular day. Red text indicates that the reading exceeds the preset value, and blue text indicates that the reading is below the preset value.
- Click “Show Chart” for any cell to display that battery cell’s chart. Move the mouse pointer to any point on the data line to display the recorded value at that point in time.
- At the top right-hand corner of the screen click “Export csv file” to export the data into CSV (Comma Separated Values) format for data processing.

Home [Back](#) [Export csv file](#)

**BMS System [UPS System 1] String 1 - 2009/11/19 Daily Report**

System Time: 2009/11/19 16:42:52

Block	Hour	0	1	2	3	4	5	6	7	8	9	10	11	12	13	14	15	16	17	18	19	20	21	22	23	
1	Show	13.09V	13.59V	13.58V	13.09V	13.59V	13.58V	13.09V	13.59V	13.58V	13.09V	13.59V	13.58V	13.09V	13.59V	13.58V	13.09V	13.59V	13.58V	13.09V	13.59V	13.58V	13.09V	13.59V	13.58V	13.09V
	Curve	3.98mΩ	4.11mΩ	3.93mΩ	3.98mΩ	4.11mΩ	3.93mΩ	3.98mΩ	4.11mΩ	3.93mΩ	3.98mΩ	4.11mΩ	3.93mΩ	3.98mΩ	4.11mΩ	3.93mΩ	3.98mΩ	4.11mΩ	3.93mΩ	3.98mΩ	4.11mΩ	3.93mΩ	3.98mΩ	4.11mΩ	3.93mΩ	3.98mΩ

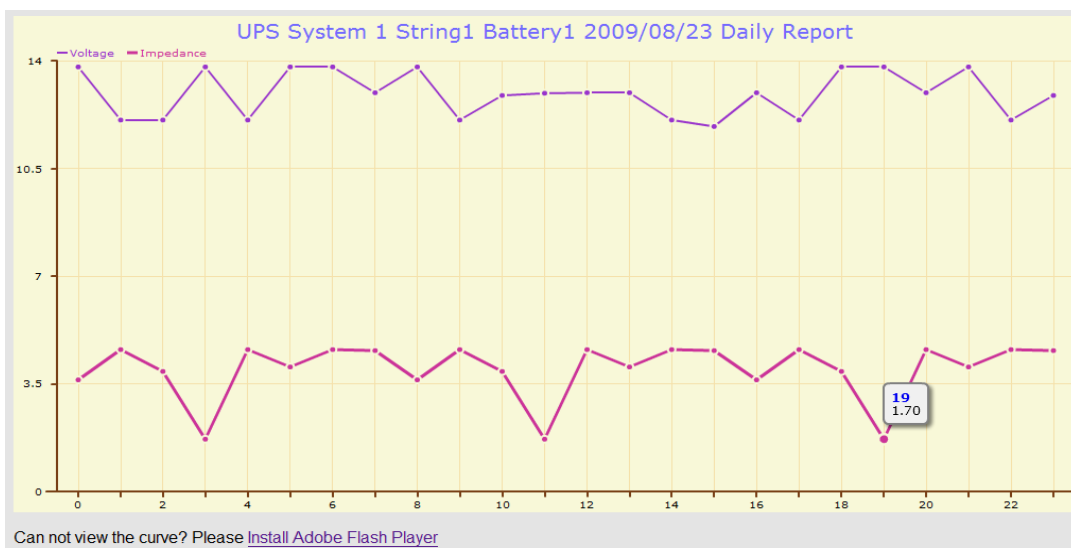


Figure 43. Daily Graphical Display

## 6. Alarm Messages and Troubleshooting

### 6-1 Alarm Messages

The DC-LCD will produce an alarm message to report abnormal battery status if any of the battery readings (cell voltage, impedance, or temperature) are out of normal range.

The table below lists all battery alarm messages.

**Table 12. Battery Alarm Messages**

	Alarm Message
1	[System Name] System Voltage under <u>xx</u> V
2	[System Name] String[##] String Voltage under <u>xx</u> V
3	[System Name] System Voltage over <u>xx</u> V
4	[System Name] String[##] String Voltage over <u>xx</u> V
5	[System Name] String[##] String Current under <u>xx</u> A
6	[System Name] String[##] String Current over <u>xx</u> A
7	[System Name] System Temperature under <u>xx</u> °C
8	[System Name] String[##] String Temperature under <u>xx</u> °C
9	[System Name] Additional Node [##] Temperature under <u>xx</u> °C
10	[System Name] String[##] Battery[##] Temperature under <u>xx</u> °C
11	[System Name] System Temperature over <u>xx</u> °C
12	[System Name] String[##] String Temperature over <u>xx</u> °C
13	[System Name] Additional Node[##] Temperature over <u>xx</u> °C
14	[System Name] String[##] Battery[##] Temperature over <u>xx</u> °C
15	[System Name] String[##] Battery[##] Block Voltage under <u>xx</u> V
16	[System Name] String[##] Battery[##] Block Voltage over <u>xx</u> V
17	[System Name] String [##] Battery[##] Impedance under <u>xx</u> mΩ
18	[System Name] String [##] Battery[##] Impedance over <u>xx</u> mΩ
19	[System Name] String[##] Battery[##] Block Voltage out of average voltage xx%

Alarms appear on the System Overview screen and are recorded in the Event Log. They can also be viewed online through the web browser (if configured) and received via email (if configured).

## 6-2 Troubleshooting

The table below lists problems that a FirstLine BMS system may encounter along with their respective troubleshooting suggestions.

If this guide fails to solve the problem please contact your authorized supplier.

**Table 13. Error Message List and Troubleshooting Suggestions**

	<b>Error Message</b>	<b>Troubleshooting</b>
1	String ## String Measure Link Fail	<i>FirstLine BMS</i> uses wireless communication, which may suffer from dead zones or interference from other wireless devices. Try changing the position of the BMK/SMKs, or install an external antenna for improved communication quality. If the problem persists try replacing a BMK/SMK.
2	System Measure Link Fail	
3	Additional Node ## Link Fail	
4	String ## Battery ## Link Fail	
5	String ## String Measure Data Miss	The wireless communication may suffer from dead zones or interference from other wireless devices. Some of the battery data was lost. Try changing the position of the BMK/SMKs, or install an external antenna for improved communication quality.
6	System Measure Data Miss	
7	Additional Node ## Data Miss	
8	String ## Battery ## Data Miss	
9	String ## Battery ## Setting Fail	Refer to Section 4-7, and reconfigure this BMK.
10	Warning: SD Card almost full	90% of the storage space has been used. Please plan to replace the SD card.
11	Warning: SD Card FULL	Please replace the SD card immediately.
12	Warning: No SD Card	Ensure that the SD card was installed properly. Try reinstalling the SD card.
13	SD Card Write Error (Write Protected?)	Remove the SD card and ensure that the overwrite switch is not in the LOCKED position.
14	Some Nodes Not Allocated	<ol style="list-style-type: none"> <li>1. Check all settings in 「 Battery System Structure Setup 」 . Refer to Section 4-4 for details.</li> <li>2. Check the settings in 「 Sensor Network Setup 」 . If any BMK or SMK is still not allocated refer to Section 4-7 for configuration instructions.</li> </ol>

NOTE: Link Fail and Data Miss error messages take exactly three (3) minutes to properly record in the DC-LCD. Notification of an error will only be logged and visible after the three (3) minute window elapses.

Error messages appear on the System Overview screen and are recorded in the Event Log. They can also be viewed online through the web browser (if configured) and received via email (if configured).

## 6-3 Replacing the SD Card

- Press the ON/OFF button to shut down the DC-LCD, before replace the SD card.

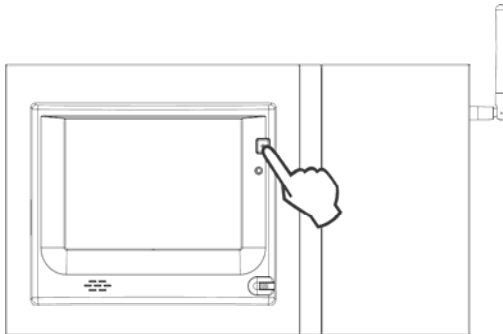


Figure 44. Location of the ON/OFF Button on the DC-LCD

- The SD card slot is on the left side of the DC-LCD.

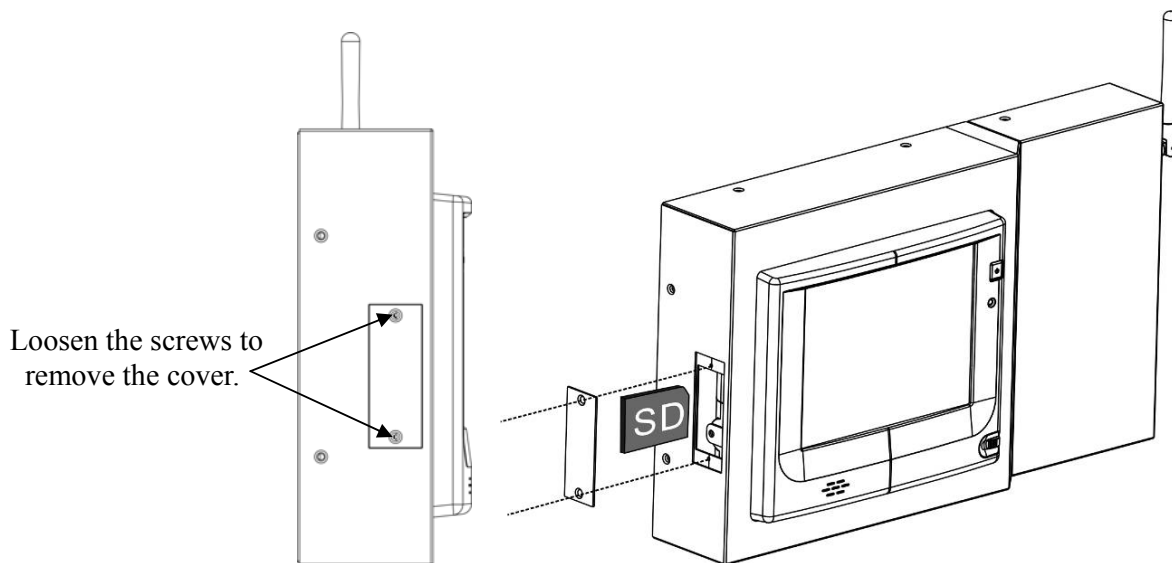
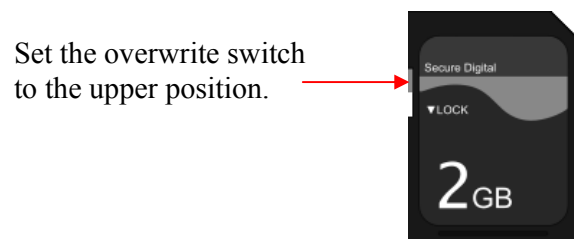


Figure 45. Location of SD Card Placement

- Ensure that the overwrite switch is set to the upper (unlocked) position. If locked, the SD card will be read-only.



Set the overwrite switch  
to the upper position.

Figure 46. Overwrite Switch on SD Card



Staco Energy Products Co.

301 Gaddis Blvd.

Dayton, OH 45403

(866) 261-1191

Fax (937) 253-1723

[www.stacoenergy.com](http://www.stacoenergy.com)